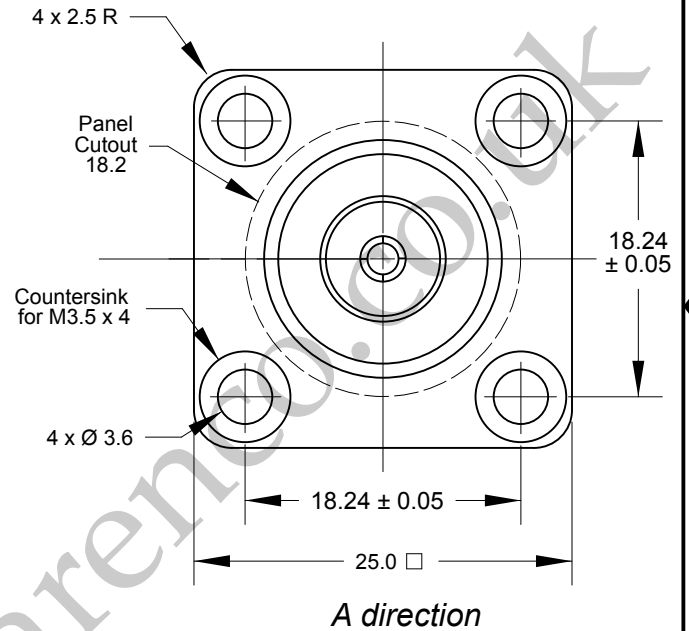
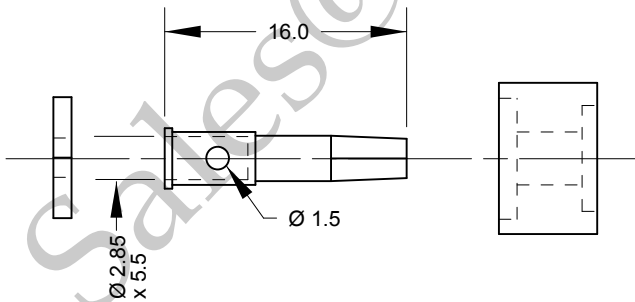


Cable types:- RG213, RG214 & Equivalents

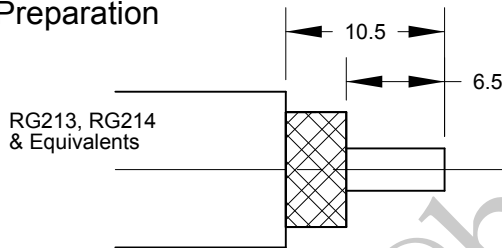
A direction

Pin and insulator arrangement



A direction

Cable Preparation



Cable Construction Specifications

	RG213	RG214
Inner Conductor	2.29mm	2.29mm
Dielectric	7.25mm	7.25mm
Outer Conductor	8.00mm	8.00mm
Overall Braid	8.30mm	8.60mm
Jacket	10.30mm	10.80mm

	PART	DESCRIPTION
1	Body	Nickel
2	Dielectric	Teflon / PTFE
3	Contact Socket	Phosphor Bronze, Gold Plated
4	Nut	Nickel

BARENCO Ltd

Barenco Ltd

Unit 14 Winterbeck Ind. Est. Orston Lane, Bottesford, Nottinghamshire NG13 0AU. Tel. 0(44)1949 860400 Email.Sales@barenco.co.uk. Web.www.barenco.co.uk

DRAWN Name BPG

Dimensions: mm

Date 13/04/2021

Last Rev.

SCALE 1 : 0.5

'N' panel socket clamp for RG213 & RG214

SIZE A4

DWG NUMBER 165025

REV -

SHEET 1 OF 1