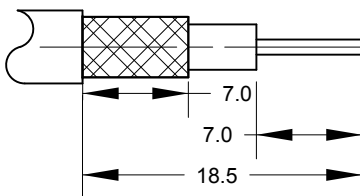


Cable : RG58, RG141 & Equivalents

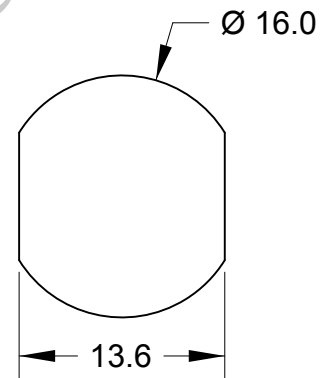
Note.
Inner conductor soldered and ferrule crimped before assembly fitted to body.

Cable Preparation

RG58, RG141 & Equivalents



Recommended Panel Piercings Dimensions



Cable Construction Specifications

	RG58.	RG141
Inner Conductor	0.91mm	0.94mm
Dielectric	2.95mm.	2.95mm
Overall Braid	3.30mm	3.30mm
Jacket	4.95mm	4.80mm

	PART	DESCRIPTION
1	Shell/Body	Brass, CuSnZn3 Plated
2	Insulator	Teflon
3	Pin Contact	Brass, Gold Plated
4	Nut	Brass, CuSnZn3 Plated
5	Gasket	Silicone Rubber

BARENCO Ltd

Barenco Ltd

Unit 14 Winterbeck Ind. Est. Orston Lane, Bottesford, Nottinghamshire NG13 0AU. Tel. 0(44)1949 860400
Email.Sales@barencoco.uk. Web.www.barencoco.uk

DRAWN Name BPG

Dimensions: mm

Date 9/01/2021

Last Rev.

SCALE 1 : 0.5

N bulkhead socket for RG58, RG141

SIZE **A4**

DWG NUMBER **165038**

REV -

SHEET 1 OF 1