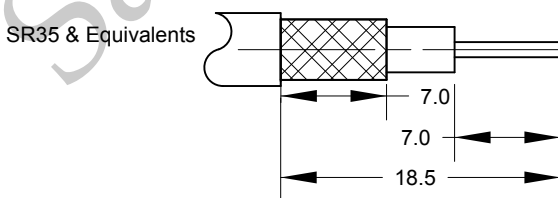


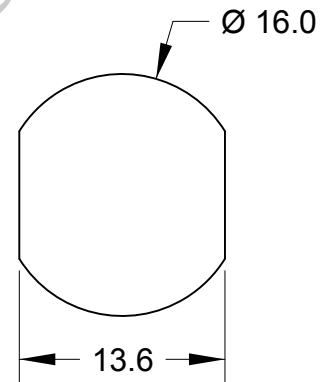
Cable : SR35 & Equivalents

Note.  
Inner conductor soldered and ferrule crimped before assembly fitted to body.

Cable Preparation



Recommended Panel Piercings Dimensions



Cable Construction Specifications

	SR35
Inner Conductor	mm
Dielectric	mm
Overall Braid	mm
Jacket	3.50mm

	PART	DESCRIPTION
1	Shell/Body	Brass, CuSnZn3 Plated
2	Insulator	Teflon
3	Pin Contact	Brass, Gold Plated
4	Nut	Brass, CuSnZn3 Plated
5	Gasket	Silicone Rubber

**BARENCO Ltd**

**Barenco Ltd**

Unit 14 Winterbeck Ind. Est. Orston Lane, Bottesford,  
Nottinghamshire NG13 0AU. Tel. 0(44)1949 860400  
Email.Sales@barencoco.uk. Web.www.barencoco.uk

DRAWN Name BPG

Dimensions: mm

Date 9/01/2021

Last Rev.

SCALE 1 : 0.5

**N bulkhead socket  
for SR35**

SIZE  
**A4**

DWG NUMBER  
**165038P**

REV -

SHEET 1 OF 1