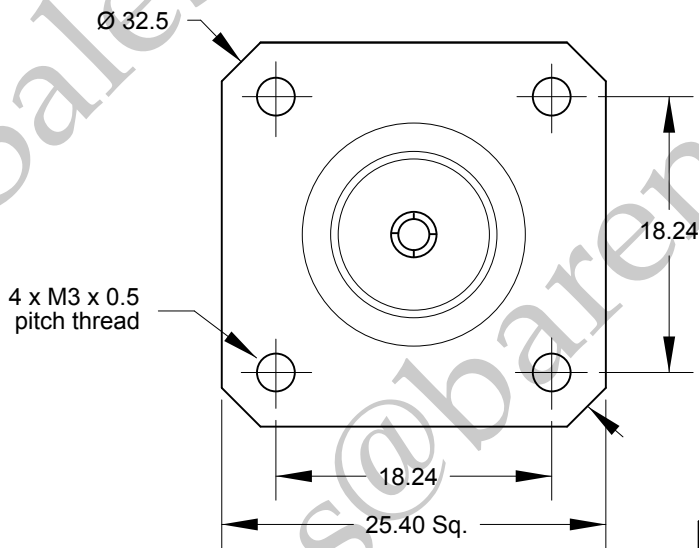


A →



4 x M3 x 0.5 pitch thread

Direction A

	PART	DESCRIPTION
1	Body	Brass, CuSnZn3 Plated
2	Dielectric	Teflon
3	Contact Socket	Beryllium Bronze, Gold Plated

BARENCO Ltd

Barenco Ltd

Unit 14 Winterbeck Ind. Est. Orston Lane, Bottesford, Nottinghamshire NG13 0AU. Tel. 0(44)1949 860400 Email.Sales@barenco.co.uk. Web.www.barenco.co.uk

DRAWN Name BPG

Dimensions: mm

Date 13/08/2018

Last Rev.

SCALE 1 : 0.5

'N' panel socket with solder spill

SIZE A4

DWG NUMBER

165041

REV -

SHEET 1 OF 1