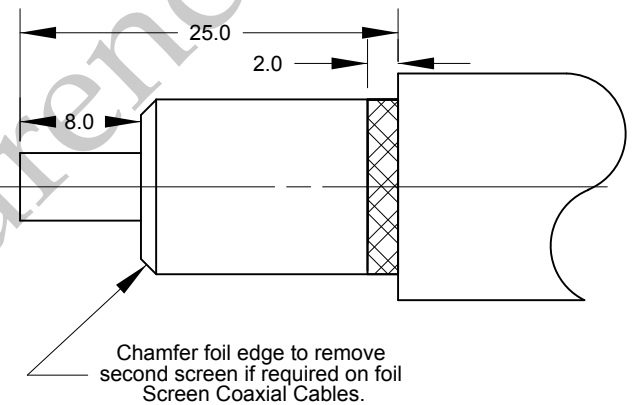


Cable types:- ANT600, LMR600 & Equivalents
 Remark :- Centre contact soldering in 4.6mm slot

Cable preparation details



Cable Construction Specifications

	ANT600	LMR600
Inner Conductor	4.47mm	4.47mm
Dielectric	11.56mm	11.56mm
Outer Conductor	11.71mm	11.71mm
Overall Braid	12.45mm	12.45mm
Jacket	14.99mm	15.00mm

CODE	DESCRIPTION	MATERIAL	QTY	FINISH
3	SHELL/BODY	BRASS	1	CuSnZn
2	INSULATOR	TEFLON	1	
1	PIN CONTACT	BRASS	1	GOLD

Barenco Ltd
 Unit 14 Winterbeck Ind. Est. Orston Lane, Bottesford,
 Nottinghamshire NG13 0AU. Tel. 0(44)1949 860400
 Email.Sales@barenco.co.uk Web.www.barenco.co.uk

BARENCO Ltd

DRAWN Name	BPG	N elbow plug clamp for ANT600 & LMR600	
Dimensions: mm		SIZE	DWG NUMBER
Date	29/01/2020	A4	165090
Last Rev.		REV	-
SCALE	1 : 0.5	SHEET 1 OF 1	