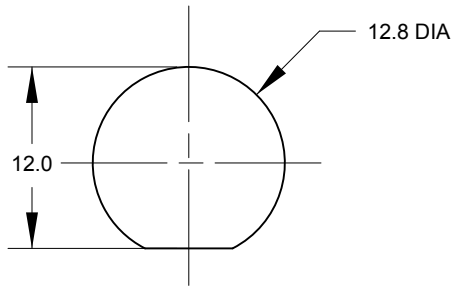
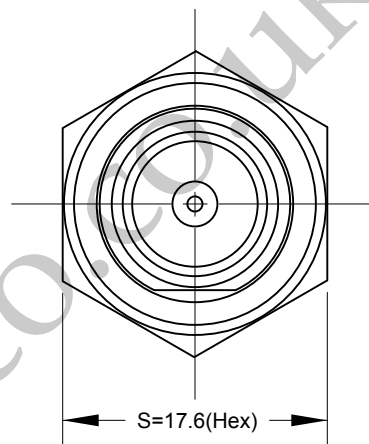


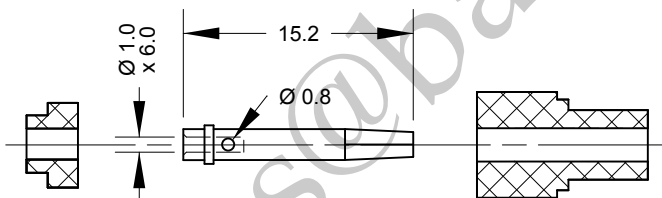
End View
Nut, Washer and Neoprene removed.



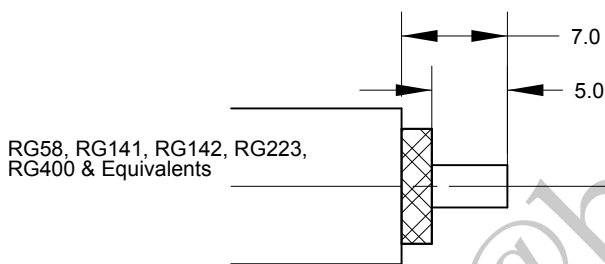
Panel Mounting Hole Cutout



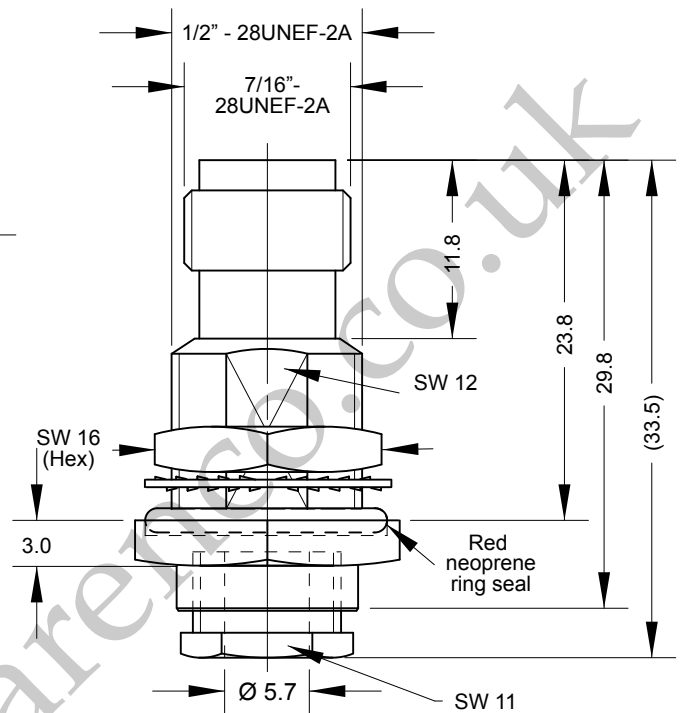
Pin and insulator arrangement



Cable Preparation



RG58, RG141, RG142, RG223,
RG400 & Equivalents



Cable : RG58, RG141, RG142,
RG223, RG400 & Equivalents

Cable Construction Specifications

	RG58	RG141	RG142	RG223	RG400
Inner Cond.	0.90mm	0.94mm	0.95mm	0.89mm	0.97mm
Dielectric	2.95mm	2.95mm	2.95mm	2.95mm	2.95mm
Overall Braid	3.30mm	3.30mm	3.96mm	4.00mm	3.96mm
Jacket	4.95 mm	4.80mm	5.00mm	5.40mm	4.95mm

PART	DESCRIPTION
1	Body Brass, CuSnZn3
2	Insulator PTFE
3	Contact Socket Phosphor Bronze/Beryllium Copper Gold Plated

BARENCO Ltd

Barenco Ltd

Unit 14 Winterbeck Ind. Est. Orston Lane, Bottesford,
Nottinghamshire NG13 0AU. Tel. 0(44)1949 860400
Email.Sales@barenco.co.uk. Web.www.barenco.co.uk

DRAWN Name	BPG	TNC bulkhead socket for RG58, RG141, RG142, RG223 & RG400	
Dimensions: mm		SIZE	DWG NUMBER
Date	15/05/2021	A4	165330
Last Rev.		REV -	SHEET 1 OF 1
SCALE 1 : 0.5			