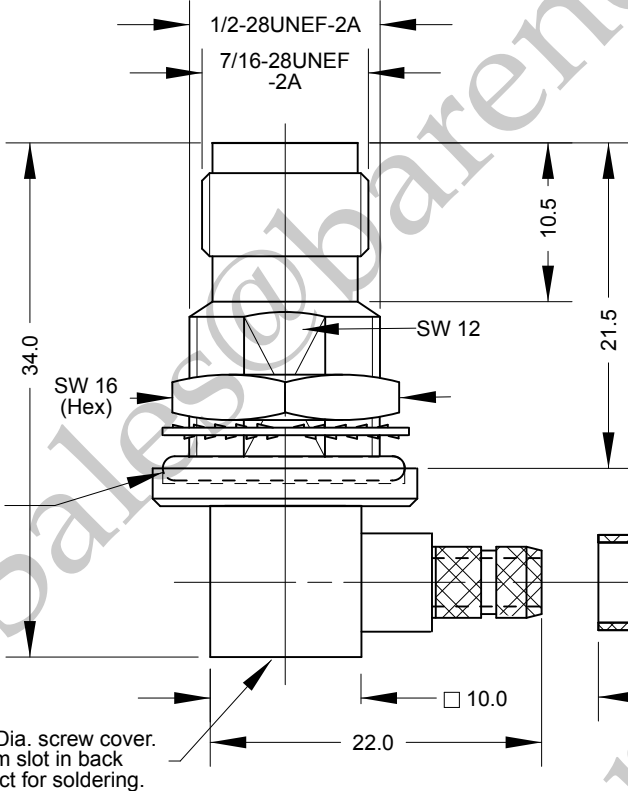
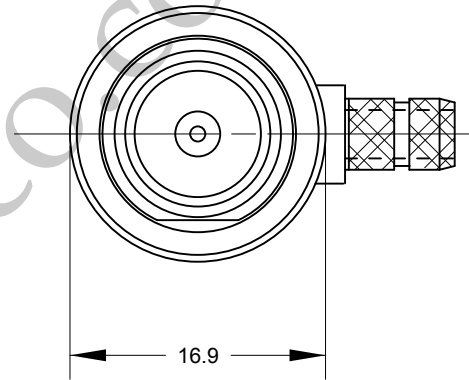
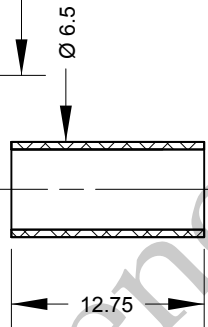


Panel Mounting Hole Cutout

End View  
Nut, Serrated Washer and Neoprene removed.

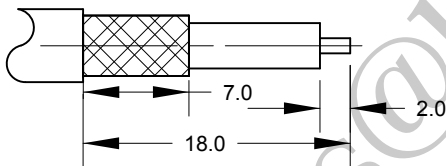


Note.  
Supplied with heatshrink for crimp ferrule  
Crimping Details  
Crimp Ferrule Hex 0.213" ( 5.41mm )  
Crimp Tool Order Code:-  
180455, 180456 & 180458



Cable : RG58, RG141 & Equivalents

Cable Preparation



Cable Construction Specifications

	RG58	RG141
Inner Conductor	0.91mm	0.94mm
Dielectric	2.95mm.	2.95mm
Overall Braid	3.30mm	3.30mm
Jacket	4.95mm	4.80mm

6	Ferrule	Phosphor Bronze	1	CuSnZn3
5	Nut	Brass	1	CuSnZn3
4	Crimp Ferrule	Brass	1	CuSnZn3
3	Shell / Body	Brass	1	CuSnZn3
2	Insulator	PTFE / Teflon	1	
1	Contact Socket	Phosphor Bronze	1	GOLD
CODE	DESCRIPTION	MATERIAL	QTY	FINISH

## Barenco Ltd

Unit 14 Winterbeck Ind. Est. Orston Lane, Bottesford,  
Nottinghamshire NG13 0AU. Tel. 0(44)1949 860400  
Email.Sales@barenco.co.uk. Web.www.barenco.co.uk

## BARENCO Ltd

DRAWN Name BPG

Dimensions: mm

Date 23/02/2020

Last Rev.

SCALE 1 : 0.5

TNC elbow bulkhead  
socket crimp for  
RG58 & RG141

SIZE A4  
DWG NUMBER 165335

REV -

SHEET 1 OF 1