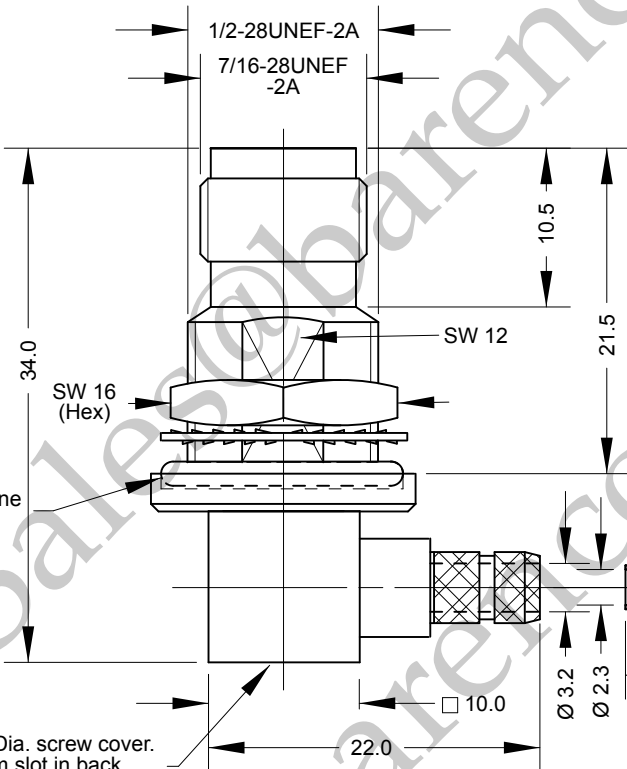
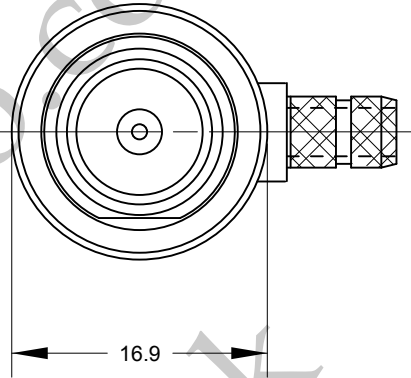


Panel Mounting Hole Cutout

End View
Nut, Serrated Washer and Neoprene removed.



Note:
Supplied with heatshrink for crimp ferrule

Crimping Details

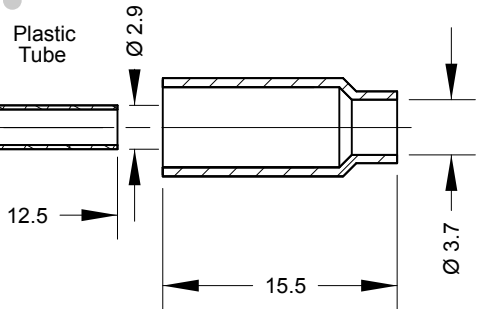
Crimp Ferrule Hex 0.213" (5.41mm)

Crimp Tool Order Code:-

180455, 180456 & 180458

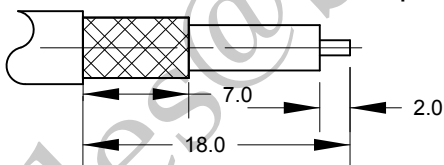
Red neoprene ring seal

7.75mm Dia. screw cover.
1.1mm slot in back of contact for soldering.



Cable : SR35 & Equivalents

Cable Preparation



Cable Construction Specifications

SR35
Inner Conductor mm
Dielectric mm
Overall Braid mm
Jacket 3.50mm

6	Ferrule	Phosphor Bronze	1	CuSnZn3
5	Nut	Brass	1	CuSnZn3
4	Crimp Ferrule	Brass	1	CuSnZn3
3	Shell / Body	Brass	1	CuSnZn3
2	Insulator	PTFE / Teflon	1	
1	Contact Socket	Phosphor Bronze	1	GOLD
CODE	DESCRIPTION	MATERIAL	QTY	FINISH

BARENCO Ltd

DRAWN Name BPG

Dimensions: mm

Date 31/12/2020

Last Rev.

SCALE 1 : 0.5

TNC elbow bulkhead socket crimp for SR35

SIZE A4 DWG NUMBER 165335P

REV - SHEET 1 OF 1

Barenco Ltd

Unit 14 Winterbeck Ind. Est. Orston Lane, Bottesford, Nottinghamshire NG13 0AU. Tel. 0(44)1949 860400 Email.Sales@barenco.co.uk Web.www.barenco.co.uk