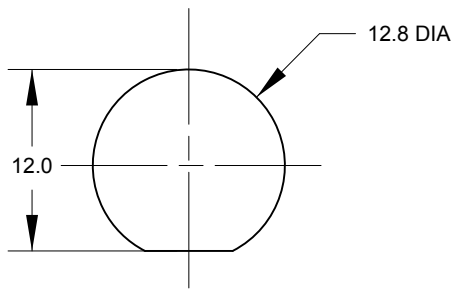
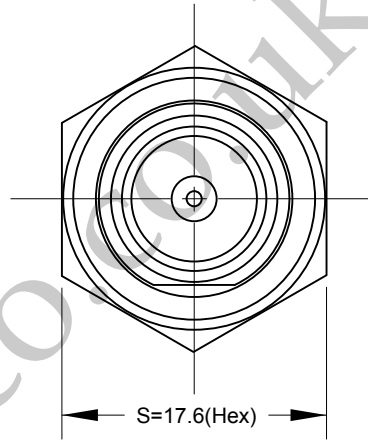


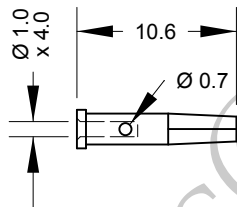
End View
Nut, Washer and Neoprene removed.



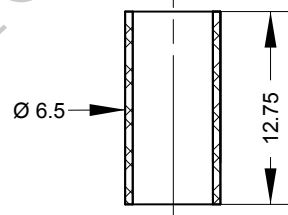
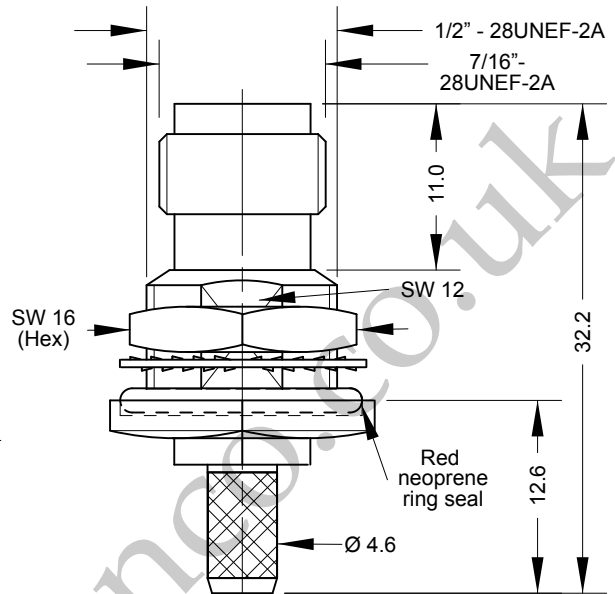
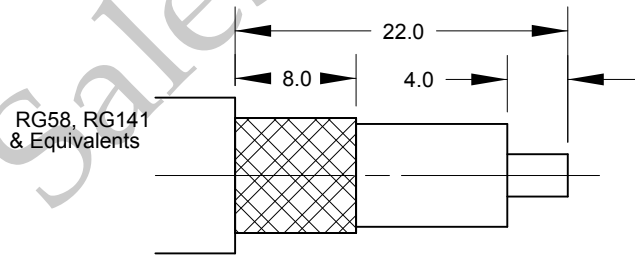
Panel Mounting Hole Cutout



Pin arrangement



Cable Preparation



Cable :
RG58, RG141
& Equivalents

Note.
Supplied with heatshrink for crimp ferrule

Crimping Details

Crimp Pin Hex 0.068" (1.72mm)
Crimp Ferrule Hex 0.213" (5.41mm)

Crimp Tool Order Code:-
180455, 180456 & 180458

Cable Construction Specifications

	RG58	RG141
Inner Cond.	0.90mm	0.94mm
Dielectric	2.95mm	2.95mm
Overall Braid	3.30mm	3.30mm
Jacket	4.95 mm	4.80mm

	PART	DESCRIPTION
1	Body	Brass, Nickel Plated
2	Insulator	PTFE
3	Contact Socket	Phosphor Bronze/Beryllium Copper Gold Plated

BARENCO Ltd

Barenco Ltd

Unit 14 Winterbeck Ind. Est. Orston Lane, Bottesford,
Nottinghamshire NG13 0AU. Tel. 0(44)1949 860400
Email.Sales@barenco.co.uk. Web.www.barenco.co.uk

DRAWN Name	BPG	TNC bulkhead socket crimp for RG58 & RG141	
Dimensions: mm		SIZE	DWG NUMBER
Date	17/05/2021	A4	165340
Last Rev.		REV -	SHEET 1 OF 1
SCALE 1 : 0.5			