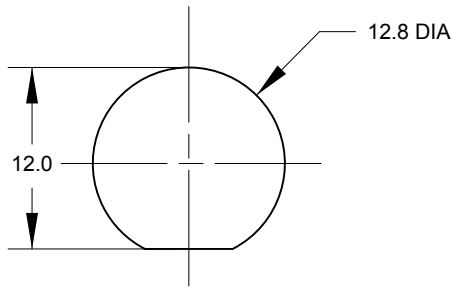
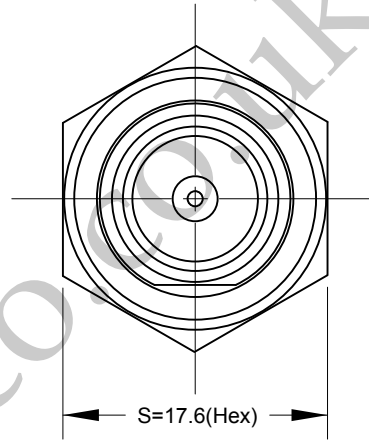


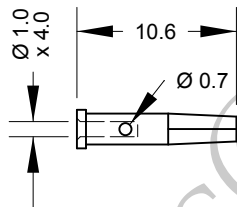
End View
Nut, Washer and Neoprene removed.



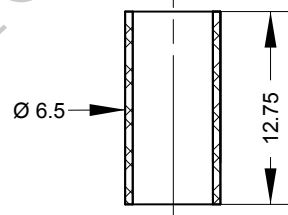
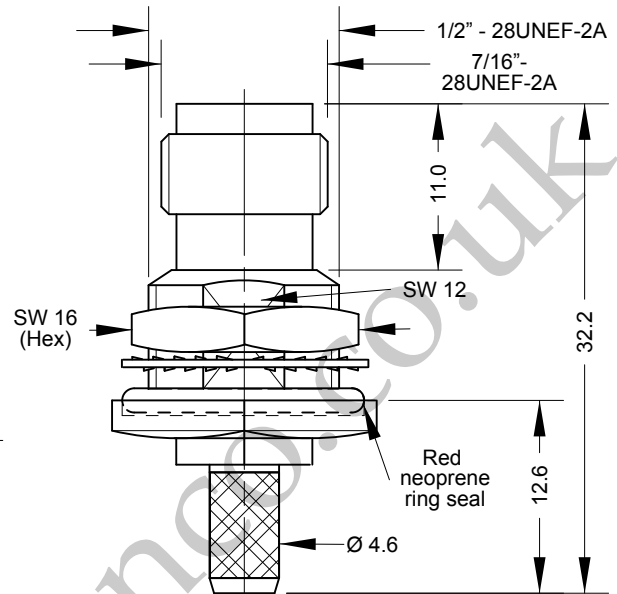
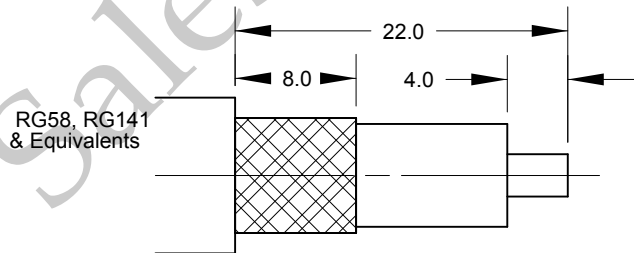
Panel Mounting Hole Cutout



Pin arrangement



Cable Preparation



Cable : RG142,
RG223, RG400
& Equivalents

Note.
Supplied with heatshrink for crimp ferrule

Crimping Details

Crimp Pin Hex 0.068" (1.72mm)
Crimp Ferrule Hex 0.213" (5.41mm)

Crimp Tool Order Code:-
180455, 180456 & 180458

Cable Construction Specifications

	RG142	RG223	RG400
Inner Cond.	0.95mm	0.89mm	0.97mm
Dielectric	2.95mm	2.95mm	2.95mm
Overall Braid	3.96mm	4.00mm	3.96mm
Jacket	5.00mm	5.40mm	4.95mm

	PART	DESCRIPTION
1	Body	Brass, Nickel Plated
2	Insulator	PTFE
3	Contact Socket	Phosphor Bronze/Beryllium Copper Gold Plated

BARENCO Ltd

Barenco Ltd

Unit 14 Winterbeck Ind. Est. Orston Lane, Bottesford,
Nottinghamshire NG13 0AU. Tel. 0(44)1949 860400
Email.Sales@barenco.co.uk. Web.www.barenco.co.uk

DRAWN Name	BPG	TNC bulkhead socket crimp for RG142, RG223 & RG400	
Dimensions: mm		SIZE	DWG NUMBER
Date	17/05/2021	A4	165340B
Last Rev.		REV -	SHEET 1 OF 1
SCALE 1 : 0.5			