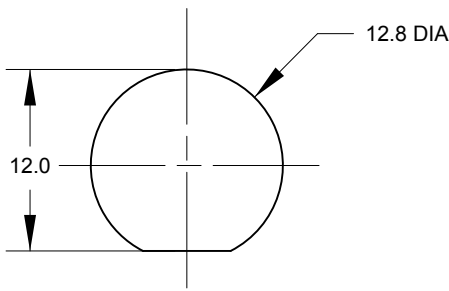
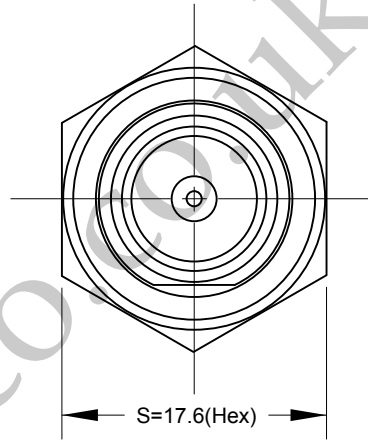


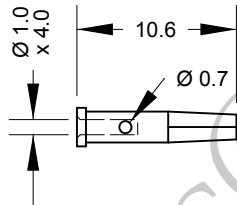
End View
Nut, Washer and Neoprene removed.



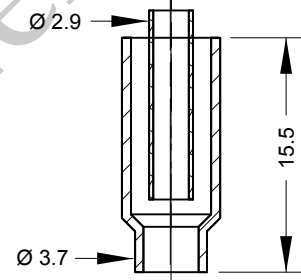
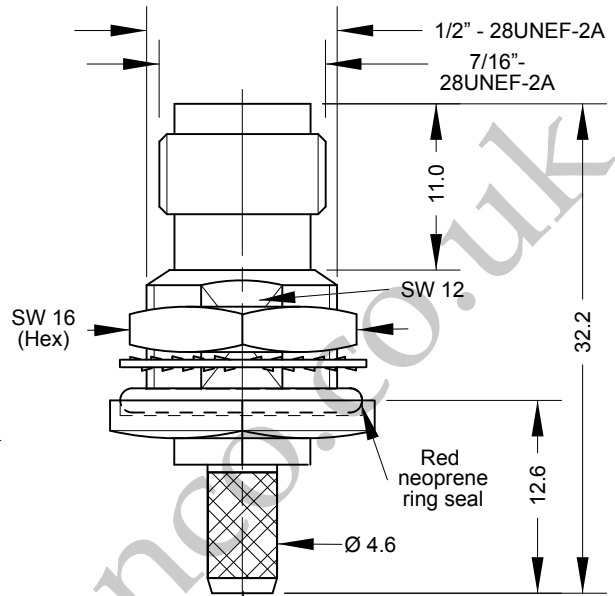
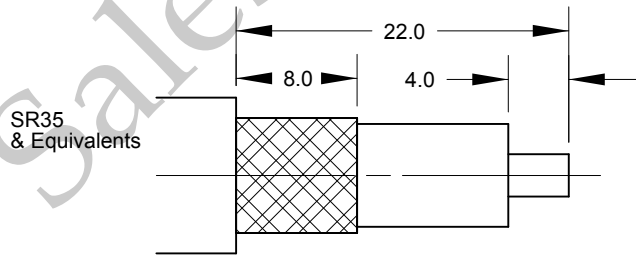
Panel Mounting Hole Cutout



Pin arrangement



Cable Preparation



Cable : SR35 & Equivalents

Note.
Supplied with heatshrink for crimp ferrule

Crimping Details

Centre Contact solder only
Crimp Ferrule Hex 0.213" (5.41mm)

Crimp Tool Order Code:-

180455, 180456 & 180458

Cable Construction Specifications

SR35
Inner Conductor mm
Dielectric mm
Overall Braid mm
Jacket 3.50mm

	PART	DESCRIPTION
1	Body	Brass, Nickel Plated
2	Insulator	PTFE
3	Contact Socket	Phosphor Bronze/Beryllium Copper Gold Plated

BARENCO Ltd

Barenco Ltd

Unit 14 Winterbeck Ind. Est. Orston Lane, Bottesford,
Nottinghamshire NG13 0AU. Tel. 0(44)1949 860400
Email.Sales@barenco.co.uk. Web.www.barenco.co.uk

DRAWN Name BPG

Dimensions: mm

Date 17/05/2021

Last Rev.

SCALE 1 : 0.5

TNC bulkhead
socket crimp for
SR35

SIZE
A4

DWG NUMBER

165340P

REV -

SHEET 1 OF 1