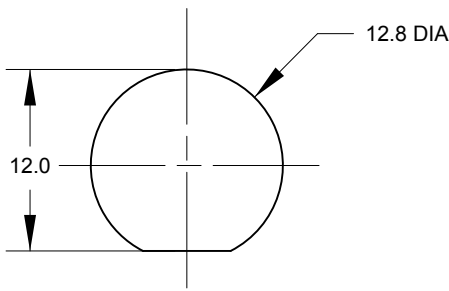
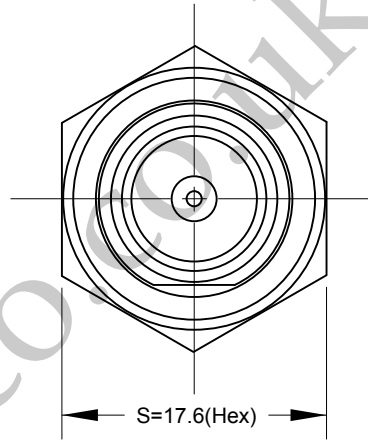


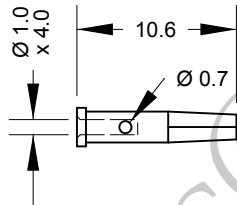
End View
Nut, Washer and Neoprene removed.



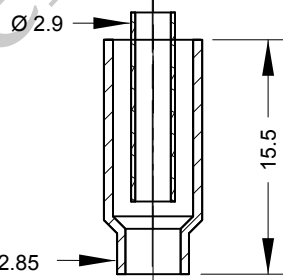
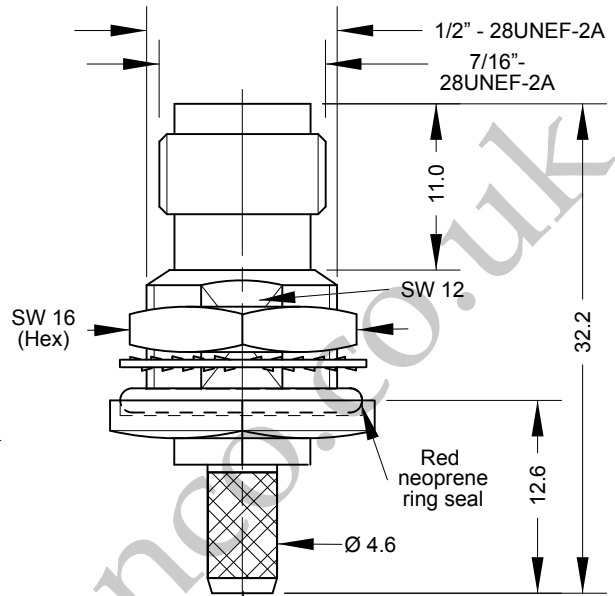
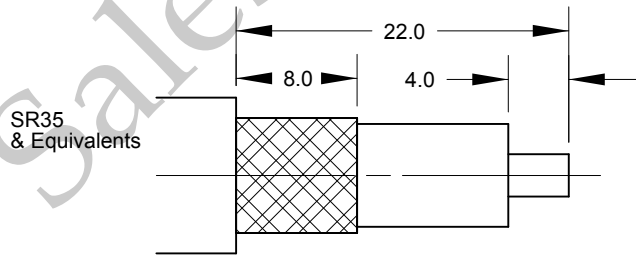
Panel Mounting Hole Cutout



Pin arrangement



Cable Preparation



Cable : RG174,
RG188, RG316
& Equivalents

Note.
Supplied with heatshrink for crimp ferrule

Crimping Details

Centre contact solder only
Crimp Ferrule Hex 0.213" (5.41mm)

Crimp Tool Order Code:-

180455, 180456 & 180458

Cable Construction Specifications

	RG174	RG188	RG316
Inner Conductor	0.48mm	0.51mm	0.53mm
Dielectric	1.52mm	1.52mm	1.53mm
Overall Braid	1.98mm	2.06mm	1.98mm
Jacket	2.54mm	2.79mm	2.50mm

	PART	DESCRIPTION
1	Body	Brass, Nickel Plated
2	Insulator	PTFE
3	Contact Socket	Phosphor Bronze/Beryllium Copper Gold Plated

BARENCO Ltd

Barenco Ltd

Unit 14 Winterbeck Ind. Est. Orston Lane, Bottesford,
Nottinghamshire NG13 0AU. Tel. 0(44)1949 860400
Email.Sales@barenco.co.uk. Web.www.barenco.co.uk

DRAWN Name	BPG	TNC bulkhead socket crimp for RG174 RG188 & RG316	
Dimensions: mm		SIZE	DWG NUMBER
Date	17/05/2021	A4	165340S
Last Rev.		REV -	SHEET 1 OF 1
SCALE 1 : 0.5			