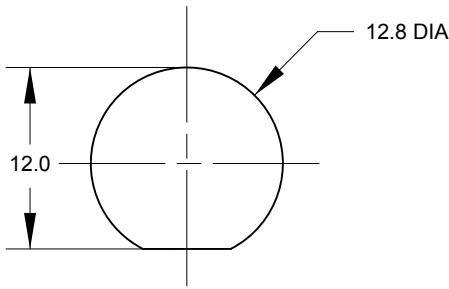
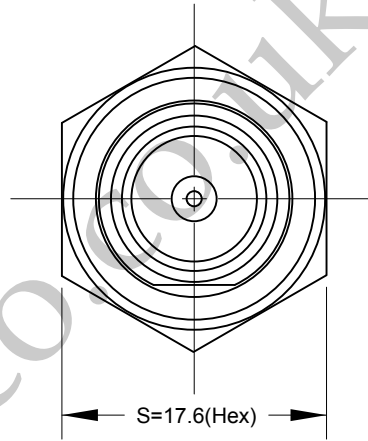


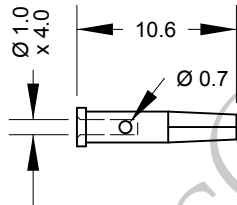
End View  
Nut, Washer and Neoprene removed.



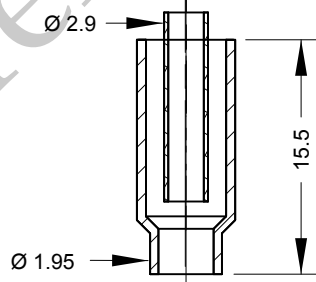
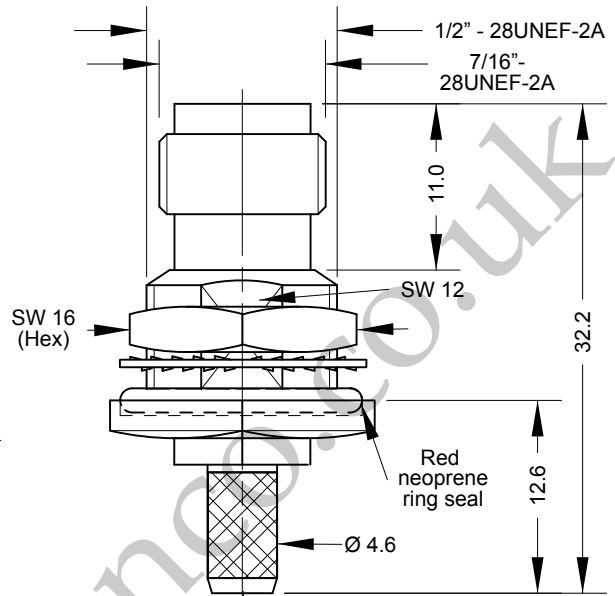
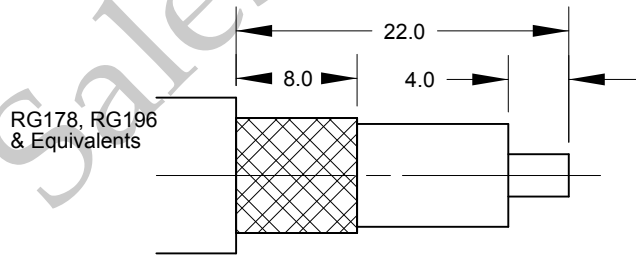
Panel Mounting Hole Cutout



Pin arrangement



Cable Preparation



Cable :  
RG178, RG196  
& Equivalents

Note.  
Supplied with heatshrink for crimp ferrule

Crimping Details

Centre contact solder only  
Crimp Ferrule Hex 0.213" (5.41mm)

Crimp Tool Order Code:-

180455, 180456 & 180458

Cable Construction Specifications

	RG178	RG196
Inner Conductor	0.30mm	0.28mm
Dielectric	0.86mm	0.89mm
Overall Braid	1.30mm	1.37mm
Jacket	1.80mm	1.94mm

	PART	DESCRIPTION
1	Body	Brass, Nickel Plated
2	Insulator	PTFE
3	Contact Socket	Phosphor Bronze/Beryllium Copper Gold Plated

**BARENCO Ltd**

**Barenco Ltd**

Unit 14 Winterbeck Ind. Est. Orston Lane, Bottesford,  
Nottinghamshire NG13 0AU. Tel. 0(44)1949 860400  
Email.Sales@barenco.co.uk. Web.www.barenco.co.uk

DRAWN Name BPG

Dimensions: mm

Date 17/05/2021

Last Rev.

SCALE 1 : 0.5

TNC bulkhead  
socket crimp for  
RG178 & RG196

SIZE  
**A4**

DWG NUMBER  
**165340T**

REV -

SHEET 1 OF 1