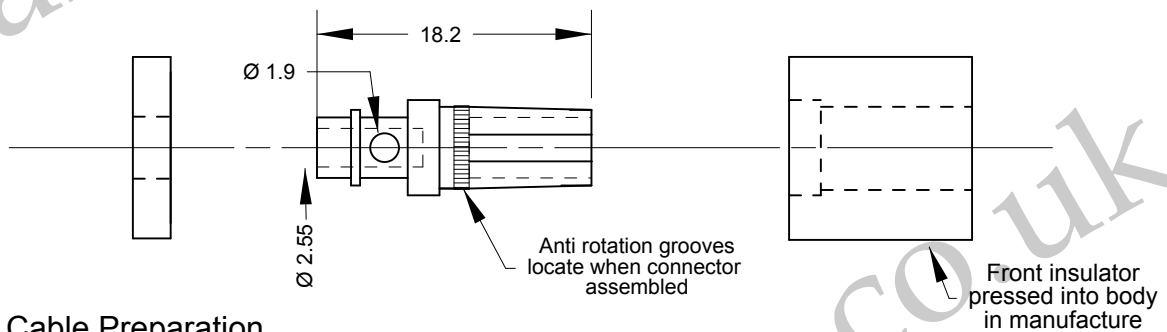
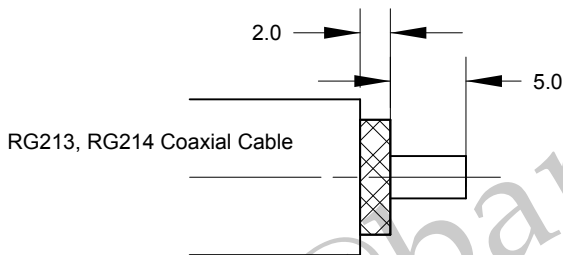


Cable : RG213, RG214 & Equivalents

Pin and insulator arrangement



Cable Preparation



Cable Construction Specifications

	RG213	RG214
Inner Conductor	2.29mm	2.29mm
Dielectric	7.25mm	7.25mm
Outer Conductor	8.00mm	8.00mm
Overall Braid	8.00mm	8.60mm
Jacket	10.30mm	10.80mm

	PART	DESCRIPTION
1	Shell/Body	Brass, CuSnZn3 Plated
2	Insulator	Teflon
3	Pin Contact	Brass, Gold Plated
4	Nut	Brass, CuSnZn3 Plated

**BARENCO Ltd**

DRAWN Name BPG

Dimensions: mm

Date 14/11/2019

Last Rev.

SCALE 1 : 0.5

UHF line socket  
for RG213 & 214

SIZE  
A4

DWG NUMBER  
165425

REV -

SHEET 1 OF 1

**Barenco Ltd**

Unit 14 Winterbeck Ind. Est. Orston Lane, Bottesford,  
Nottinghamshire NG13 0AU. Tel. 0(44)1949 860400  
Email.Sales@barenco.co.uk. Web.www.barenco.co.uk