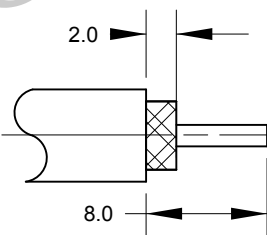


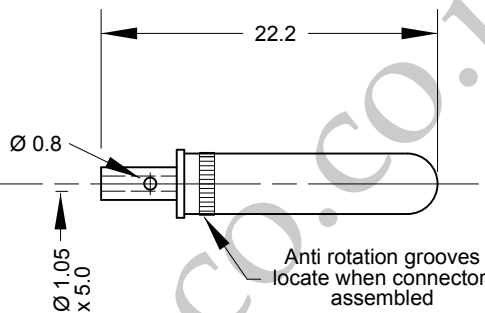
Cable : RG58, RG141, RG142, RG223, RG400 & Equivalents

Cable preparation details

RG58, RG141, RG142, RG223, RG400 & Equivalents



Pin & Insulator arrangement



Note.

Solder centre contact

or

Centre conductor crimp Hex: 0.068" (1.72mm)

Crimp Tool Order Code:-

180455, 180456, 180458

Cable Construction Specifications

	RG58	RG141	RG142	RG223	RG400
Inner Cond.	0.90mm	0.94mm	0.95mm	0.89mm	0.97mm
Dielectric	2.95mm	2.95mm	2.95mm	2.95mm	2.95mm
Overall Braid	3.30mm	3.30mm	3.96mm	4.00mm	3.96mm
Jacket	4.95 mm	4.80mm	5.00mm	5.40mm	4.95mm

	PART	DESCRIPTION
1	Shell/Body	Brass, CuSnZn3 Plated
2	Insulator	PTFE / Teflon
3	Pin Contact	Brass, Gold Plated
4	Nut	Brass, CuSnZn3 Plated
5	Neoprene	White

Last Rev. Back nut changed to 5.75mm with 11mm flats and anti rotation grooves added on pin.

BARENCO Ltd

Barenco Ltd

Unit 14 Winterbeck Ind. Est. Orston Lane, Bottesford, Nottinghamshire NG13 0AU. Tel. 0(44)1949 860400 Email.Sales@barenco.co.uk. Web.www.barenco.co.uk

DRAWN Name BPG

Dimensions: mm

Date 10/07/2020

Last Rev. 26/07/2021

SCALE 1 : 0.5

UHF plug clamp for RG58, RG141, RG142, RG223 & RG400

SIZE A4

DWG NUMBER 168260

REV -

SHEET 1 OF 1