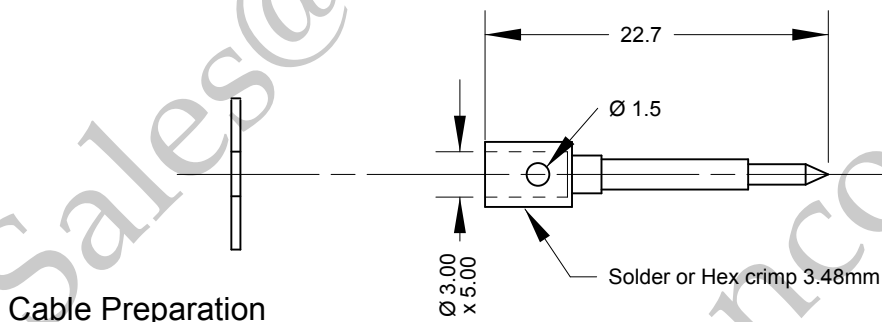
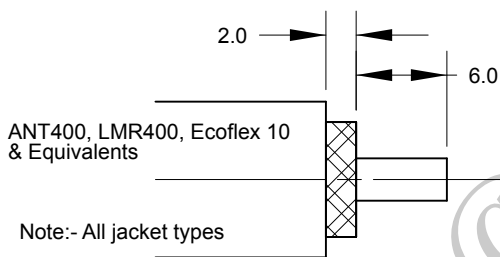


Cable : ANT400, LMR400, LMR400UF, Ecoflex 10 & Equivalents

Pin and insulator arrangement



Cable Preparation



Crimping Details

Crimp Pin Hex 0.137" (3.48mm)

Crimp Tool Order Code:- 180456

Cable Construction Specifications

	LMR400	LMR400UF	ANT400	Ecoflex 10
Inner Conductor	2.74mm	2.74mm	2.74mm	2.85mm
Dielectric	7.24mm	7.24mm	7.24mm	7.25mm
Outer Conductor	7.39mm	7.39mm	7.39mm	N/A
Overall Braid	8.13mm	8.13mm	8.13mm	N/A
Jacket	10.29mm	10.29mm	10.30mm	10.20mm

	PART	DESCRIPTION
1	Shell/Body	Brass, CuSnZn3 Plated
2	Insulator	Teflon
3	Pin Contact	Brass, Gold Plated
4	Nut	Brass, CuSnZn3 Plated
5	Neoprene	White or semi translucent

BARENCO Ltd

Barenco Ltd

Unit 14 Winterbeck Ind. Est. Orston Lane, Bottesford, Nottinghamshire NG13 0AU. Tel. 0(44)1949 860400 Email.Sales@barenco.co.uk. Web.www.barenco.co.uk

DRAWN Name	BPG	TNC plug clamp for ANT400, LMR400 & Ecoflex 10	
Dimensions: mm			
Date	5/02/2020	SIZE	DWG NUMBER
Last Rev.		A4	168420
SCALE 1 : 0.5	REV -	SHEET 1 OF 1	