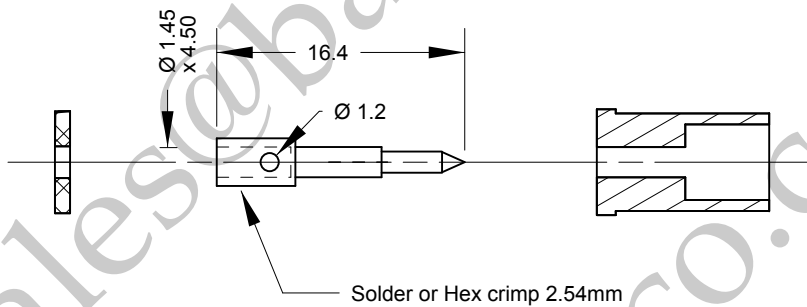


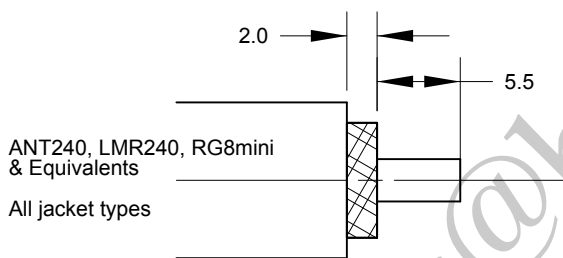
Cable : ANT240, LMR240, RG8Mini & Equivalents

Pin and insulator arrangement



Centre conductor crimp hex : 0.100" (2.54mm)

Cable Preparation



Note.

Solder centre contact
or
Centre conductor crimp Hex: 0.10" (2.54mm)

Crimp Tool Order Code:-

180454, 180456 & 180457

Cable Construction Specifications

	LMR240	RG8Mini	ANT240
Inner Conductor	1.42mm	1.47mm	1.42mm
Dielectric	3.81mm	3.90mm	3.81mm
Outer Conductor	3.94mm	4.25mm	3.90mm
Overall Braid	4.52mm	4.25mm	4.52mm
Jacket	6.10mm	6.10mm	6.10mm

	PART	DESCRIPTION
1	Shell/Body	Brass, CuSnZn3 Plated
2	Insulator	PTFE / Teflon
3	Pin Contact	Brass, Gold Plated
4	Nut	Brass, CuSnZn3 Plated
5	Neoprene	White

BARENCO Ltd

Barenco Ltd

Unit 14 Winterbeck Ind. Est. Orston Lane, Bottesford, Nottinghamshire NG13 0AU. Tel. 0(44)1949 860400 Email.Sales@barenco.co.uk. Web.www.barenco.co.uk

DRAWN Name	BPG
Dimensions: mm	
Date	08/06/2021
Last Rev.	
SCALE	1 : 0.5

TNC plug clamp for ANT240, LMR240 & RG8Mini	
SIZE	DWG NUMBER
A4	168425
REV -	SHEET 1 OF 1