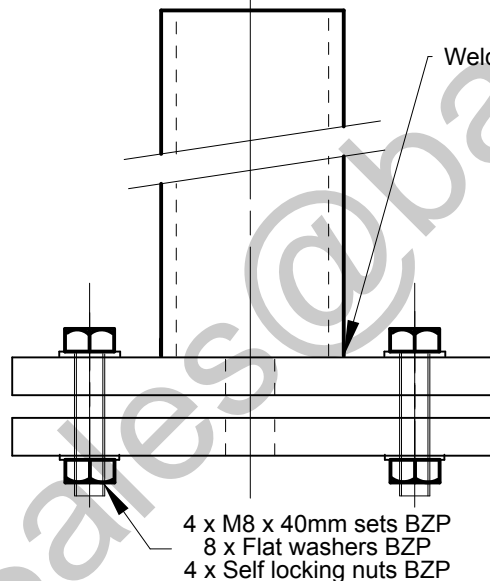


Drilled for 3" 'V' Bolt  
BE958 & BE921  
Saddle, if required

Drilled for 2"  
'V' Bolt BE955  
& BE926 Saddle,  
if required

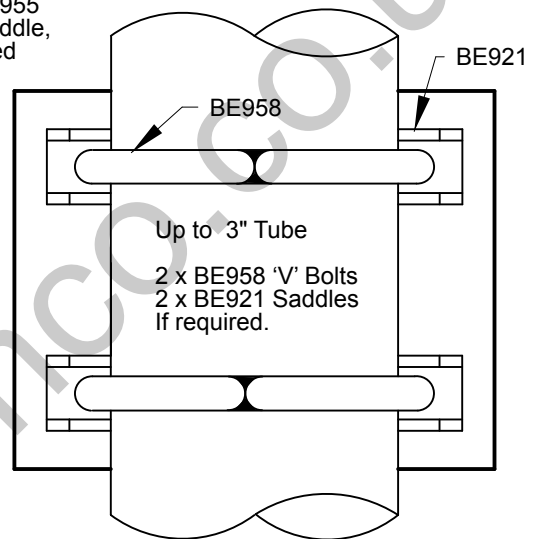


4 x M8 x 40mm sets BZP  
8 x Flat washers BZP  
4 x Self locking nuts BZP

**Material:-**

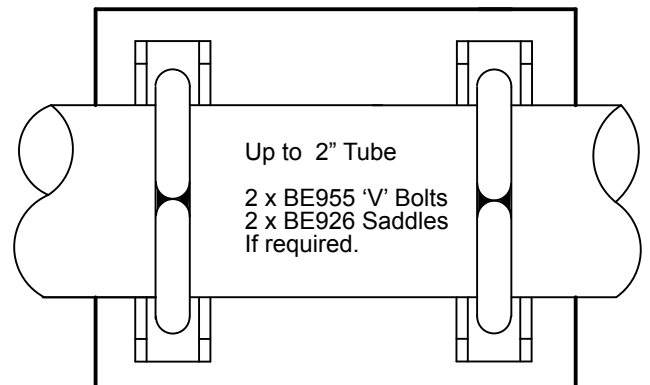
10mm Aluminium Plate  
Scaffold tube, Aluminium  
48.3mm x 4.5mm

**3" Tube Mounting**



Up to 3" Tube  
2 x BE958 'V' Bolts  
2 x BE921 Saddles  
If required.

**2" Tube Mounting**



Up to 2" Tube  
2 x BE955 'V' Bolts  
2 x BE926 Saddles  
If required.

**Note.**

To use 2" or 3" 'V' bolts.  
Remove lower plate and fit direct to upper only.  
'V' bolts and saddles are at extra cost.

**Barenco Ltd**

**Barenco Ltd**

Unit 14 Winterbeck Ind. Est. Orston Lane, Bottesford,  
Nottinghamshire NG13 0AU Tel. 01949 860400  
Email. Sales@barenco.co.uk Web. www.barenco.co.uk

DRAWN Name BPG

Dimensions: mm

Date 31/07/2018

Last Rev.

SCALE 2 : 1

**Stand-off scaffold  
pole, Aluminium**

SIZE  
**A4**

DWG NUMBER  
**BE629**

REV -

SHEET 1 OF 1