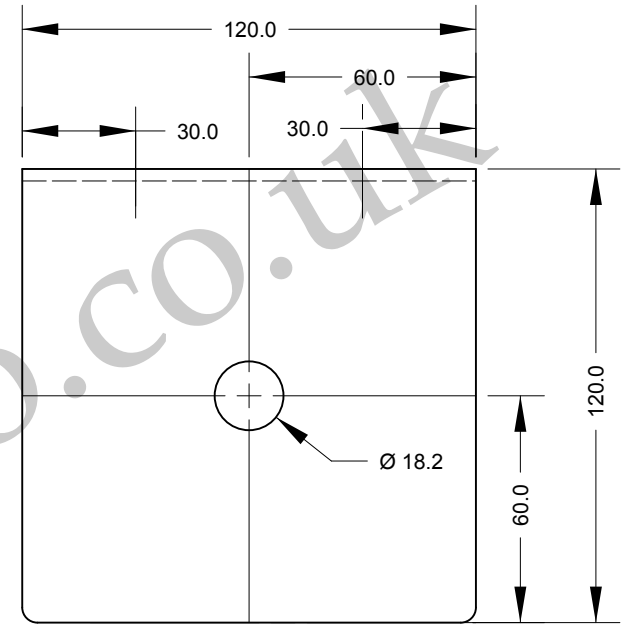
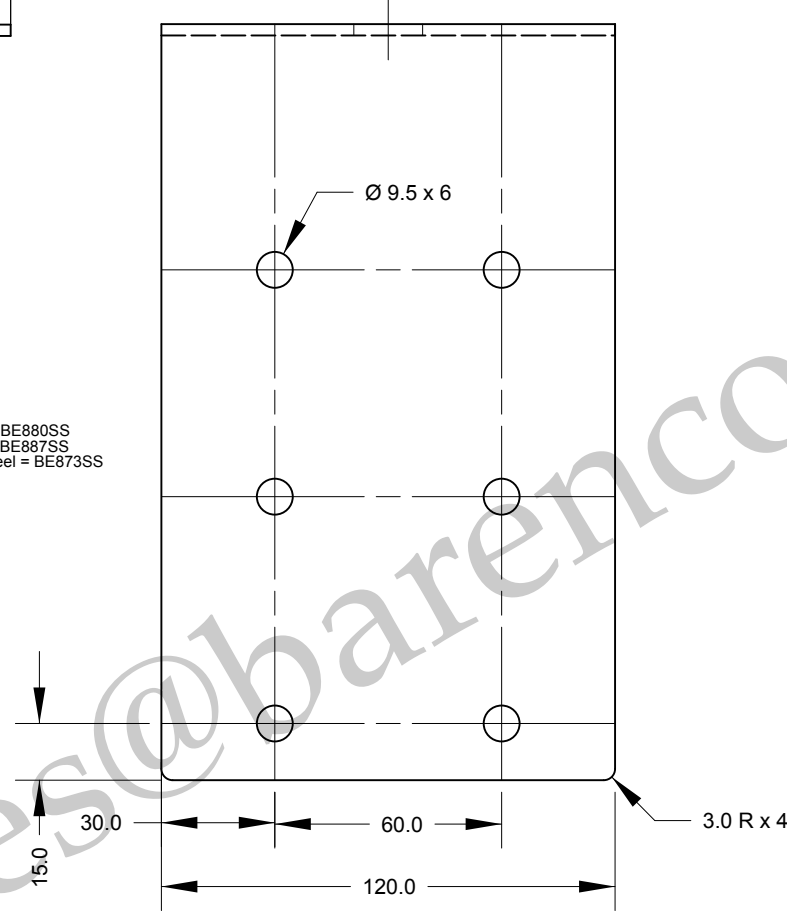


Minimum bending radius @ 90 degrees

Notes.
 Mounting bolts for this bracket are available at extra costs. Please choose from the following.
 2" 'U' bolt M8 316 Stainless Steel = BE880SS
 2" 'V' bolt M8 316 Stainless Steel = BE887SS
 2" Square bolt M8 316 Stainless Steel = BE873SS



Material:- 3mm Stainless steel 316

Note. Linish both sides before pressbraking

Last Rev. Change 9.5mm fixing bolt holes to be on a 60mm matrix for horizontal and vertical mounting.

BARENCO Ltd.

DRAWN Name		BPG		GNSS Aerial mounting bracket	
Dimensions: mm					
Date	22/11/2021		SIZE	DWG NUMBER	
Last Rev.	18/10/2022		A4	BE663SS	
SCALE 2:1			REV -	SHEET 1 OF 1	

Barenco Ltd
 14, Winterbeck Industrial Estate, Orston Lane, Bottesford, Nottingham, NG13 0AU
 Email : sales@barenco.co.uk Web address : www.barenco.co.uk Tel : 01949 860400