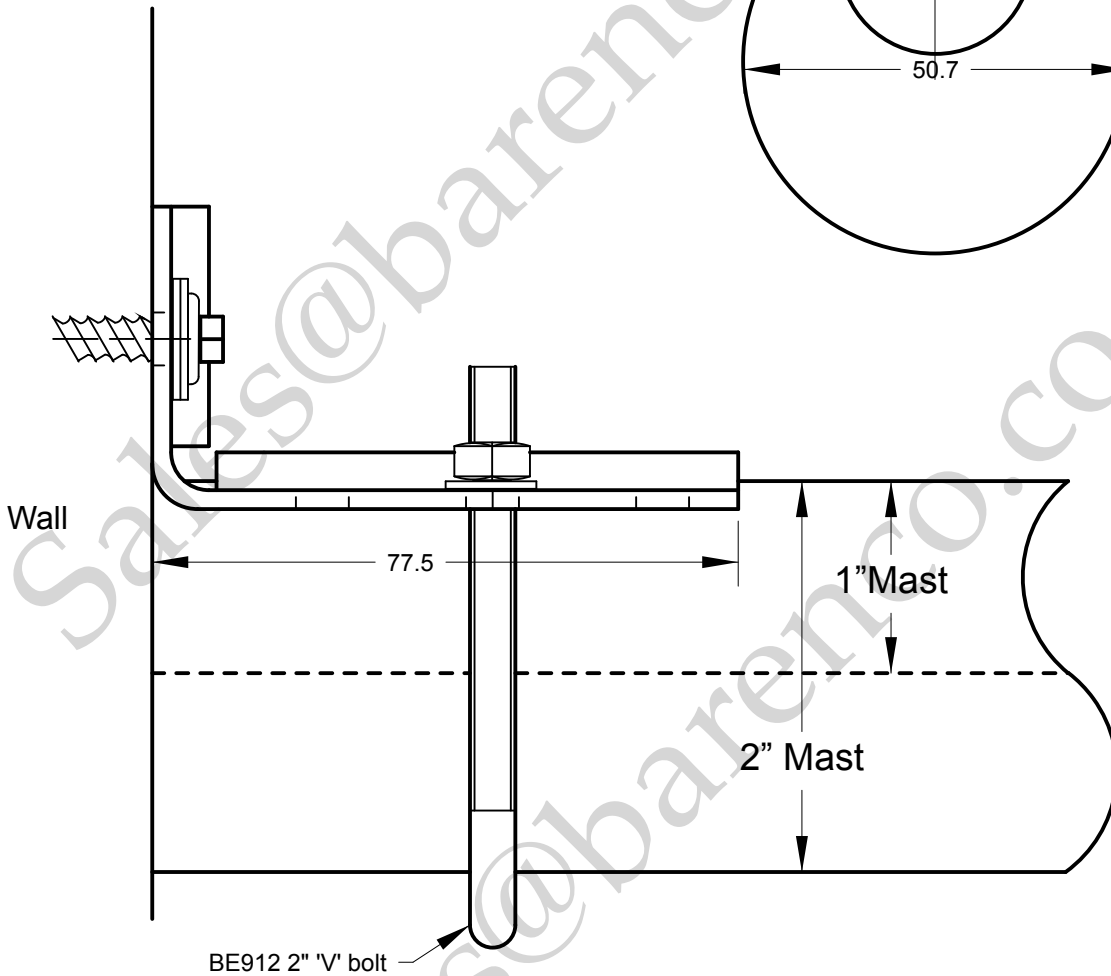
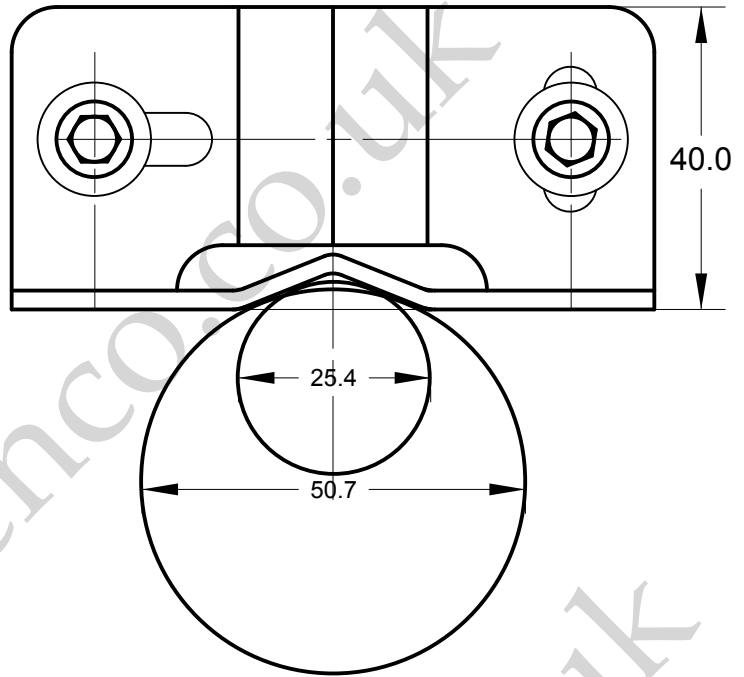


Wall bracket comes complete with
 1 x BE912 2" x M6 'V' bolt ,
 2 x Plastic wall plugs 10 x 36
 2 x Metalfix gash point screws 6.3 x
 32 with 16mm integral washer,
 and can be used to mount bracket to
 brick or wood as required.



A small well designed wall bracket suited for wall mounting of Di-pole aerials. Other uses will be found such as loft mounting light duty aerials and will except up to 2" diameter masts on both sides with additional 'V' bolts.

Material:- 2.5mm Mild Steel Plate
 Finish :- Sherardized

Barenco Ltd

Unit 14 Winterbeck Ind. Est. Orston Lane, Bottesford,
 Nottinghamshire NG13 0AU. Tel. 0(44)1949 860400
 Email.Sales@barenco.co.uk. Web.www.barenco.co.uk

BARENCO Ltd.

DRAWN Name BPG		Dipole wall bracket 1" - 2"	
Dimensions: mm			
Date	9/02/2020	SIZE	DWG NUMBER
Last Rev.		A4	BE710
SCALE	1 : 1	REV	-
		SHEET 1 OF 1	