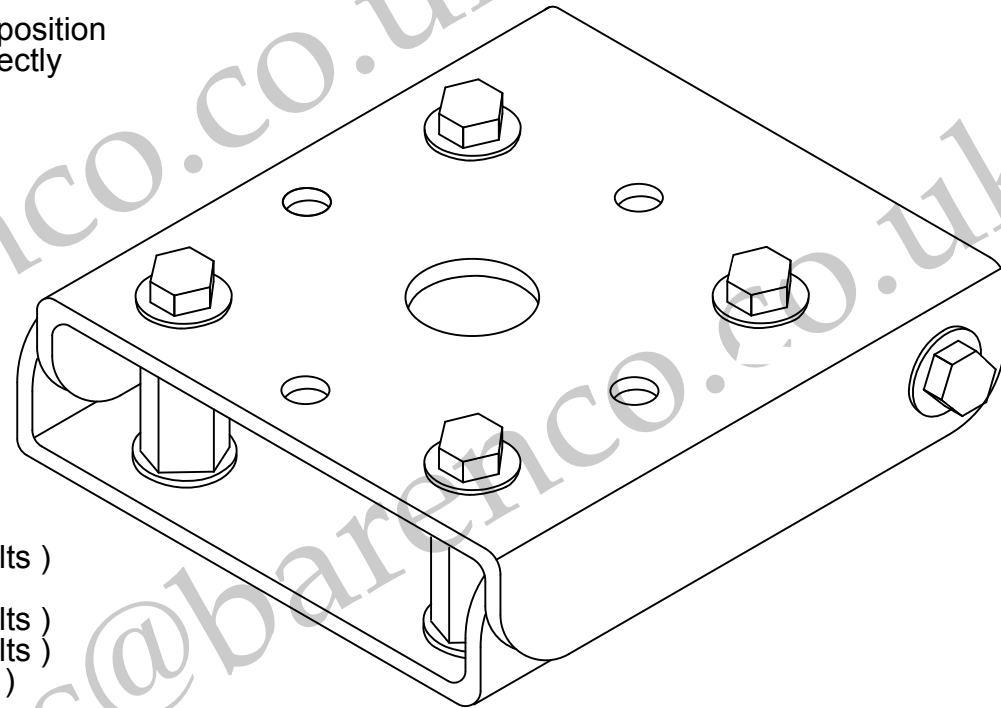


Part used in the modular "XS SYSTEM" designed by BARENCO

This base hinge will allow a mast to be base tilted and does not rely on the hinge bolts when in a vertical position as the 4 x M10 bolts connect through the hinge and directly into the base through the coupler nuts.



This product will fit the following tops.

- BE750 - 48.3mm Ø x 800mm tall (no internal fixings)
- BE751 - 76.2mm Ø x 800mm tall (no internal fixings)
- BE752 - 60.3mm Ø x 180mm tall (2 internal M12 lock bolts)
- BE753 - 48.3mm Ø x 950mm tall (no internal fixings)
- BE754 - 60.3mm Ø x 800mm tall (3 internal M12 lock bolts)
- BE755 - 76.2mm Ø x 180mm tall (2 internal M12 lock bolts)
- BE756 - 48.3mm Ø x 90mm tall (2 internal M8 lock bolts)

This product will fit the following bases.

- BE731 250mm x 150mm base plate with studs.
- BE732 300mm x 300mm base plate with studs.
- BE733 380mm long drive-on base.
- BE734 533mm long drive-on base.
- BE735 300mm x 300mm base plate no studs.

Material:- 4mm Mild Steel Plate

Finish :- Sherardized

BARENCO Ltd.

DRAWN Name		BPG		Base hinge plate with 125mm top mounting plate	
Dimensions: mm					
Date	10/11/2019	SIZE	A4	DWG NUMBER	BE770
Last Rev.		REV	-	SHEET 1 OF 1	
SCALE 2 : 1					

Barenco Ltd

14, Winterbeck Industrial Estate, Orston Lane, Bottesford, Nottingham, NG13 0AU
 Email : sales@barenco.co.uk Web address : www.barenco.co.uk Tel : 01949 860400