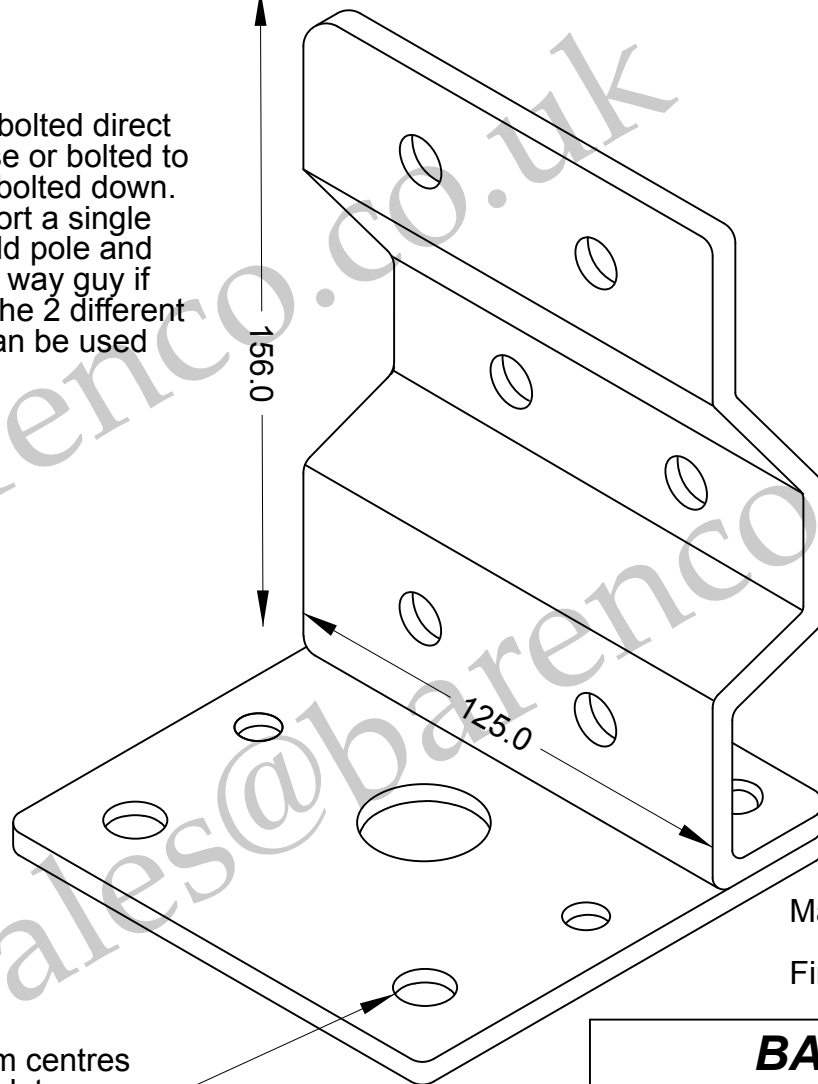
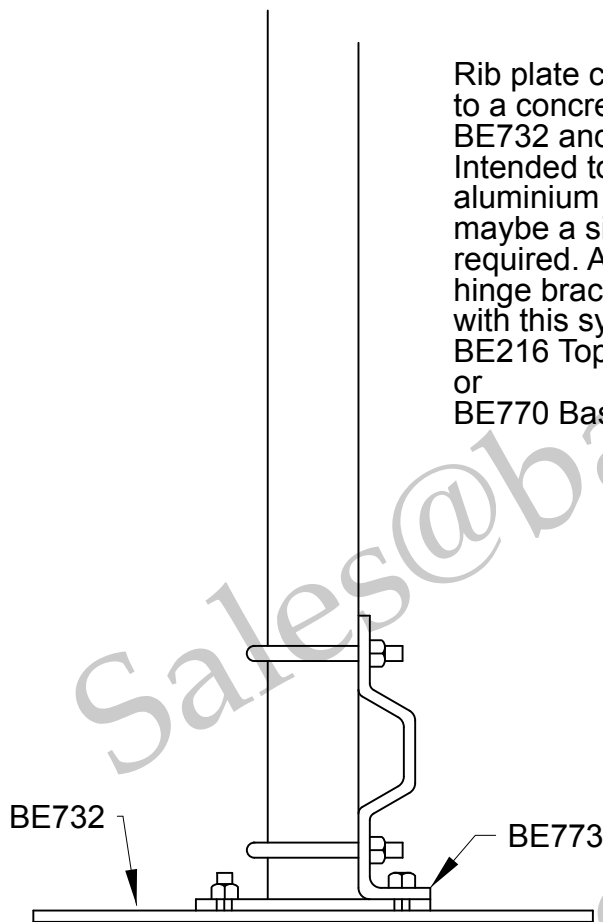


Part used in the modular "XS SYSTEM" designed by BARENCO

Rib plate can be bolted direct to a concrete base or bolted to BE732 and then bolted down. Intended to support a single aluminium scaffold pole and maybe a single 3 way guy if required. Any of the 2 different hinge brackets can be used with this system. BE216 Top tilt or BE770 Base tilt

BE773  
Supplied with  
3 x BE915 2" 'V' bolts



4 x M10 clearance holes on 95mm centres to secure on base mounting plate or bolt direct to mounting surface.

Material:- 6mm Mild steel plate  
Finish :- Sherardized

**BARENCO Ltd.**

DRAWN Name		BPG		Rib base support plate welded to 125mm base	
Dimensions: mm					
Date	10/11/2019	SIZE	A4	DWG NUMBER	
Last Rev.		REV	-	BE773	
SCALE 2 : 1				SHEET 1 OF 1	

Barenco Ltd

14, Winterbeck Industrial Estate, Orston Lane, Bottesford, Nottingham, NG13 0AU  
Email : sales@barenco.co.uk Web address : www.barenco.co.uk Tel : 01949 860400