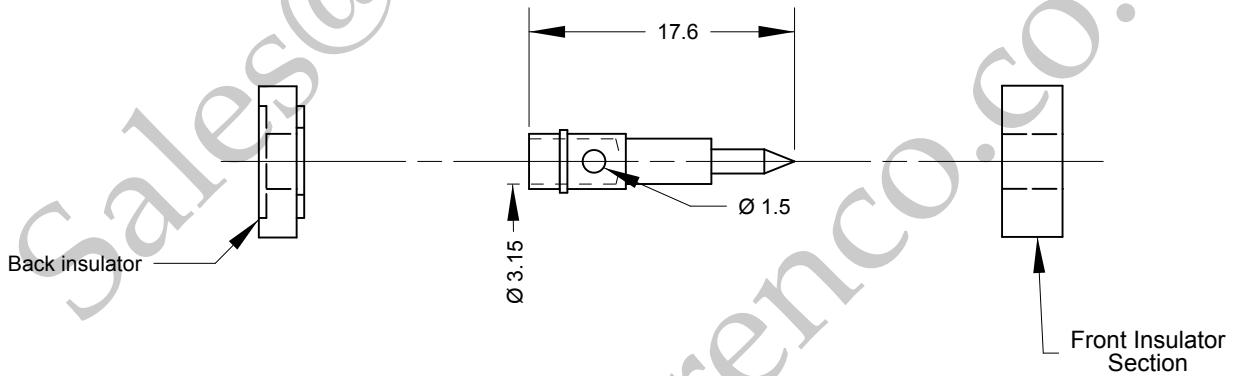
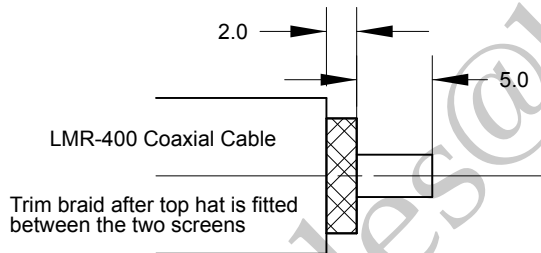


Cable : LMR-400 & LMR-400UF & Equivalents

Pin and insulator arrangement



Cable Preparation



Cable: Times Microwave LMR400 & LMR400UF

Construction Specifications
 Inner Conductor 2.74mm
 Dielectric 7.24mm
 Outer Conductor 7.39mm
 Overall Braid 8.13mm
 Jacket 10.29mm

	PART	DESCRIPTION
1	Shell/Body	Brass, CuSnZn3 Plated
2	Insulator	Teflon
3	Pin Contact	Brass, Gold Plated
4	Nut	Brass, CuSnZn3 Plated
5	Neoprene	White or semi translucent

BARENCO Ltd

DRAWN Name B. Gell		N plug straight for LMR-400	
Dimensions: mm			
Date	5/02/2020	SIZE	DWG NUMBER
Last Rev.		A4	165000W
SCALE	1 : 0.5	REV	-
		SHEET 1 OF 1	

Barenco Ltd

Unit 14 Winterbeck Ind. Est. Orston Lane, Bottesford, Nottinghamshire NG13 0AU. Tel. 0(44)1949 860400
 Email.Sales@barenco.co.uk. Web.www.barenco.co.uk