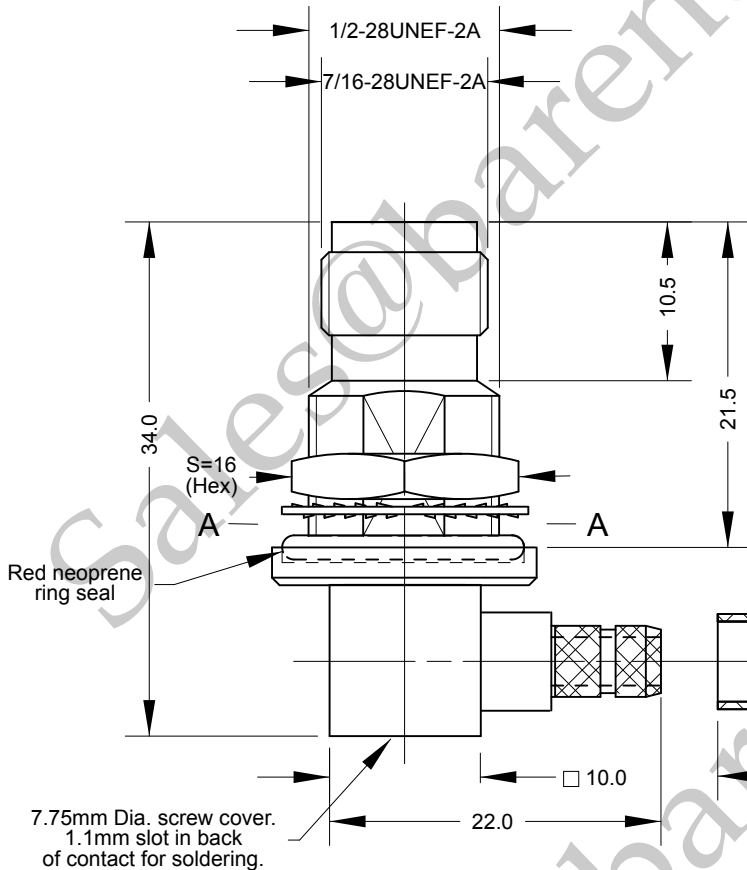
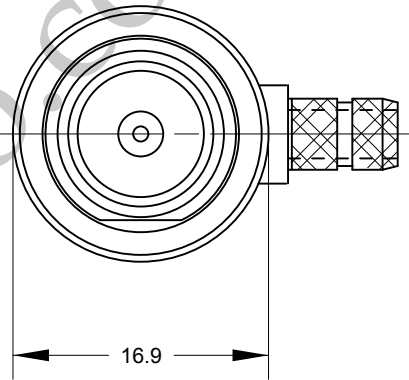


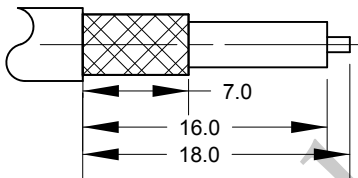
Panel Mounting Hole Cutout

End View  
Nut, Serrated Washer and Neoprene removed.



Note.  
Supplied with heatshrink for crimp ferrule  
Crimping Details  
Crimp Ferrule Hex 0.213" (5.41mm)  
Crimp Tool Order Code:-  
180455, 180456 & 180458

Cable Preparation



Cable Construction Specifications

RG58  
Inner Conductor 0.91mm  
Dielectric 2.95mm  
Outer Conductor 3.30mm  
Overall Braid 3.30mm  
Jacket 4.95mm

6	Ferrule	Phosphor Bronze	1	CuSnZn3
5	Nut	Brass	1	CuSnZn3
4	Crimp Ferrule	Brass	1	CuSnZn3
3	Shell / Body	Brass	1	CuSnZn3
2	Insulator	PTFE / Teflon	1	
1	Contact Socket	Phosphor Bronze	1	GOLD
CODE	DESCRIPTION	MATERIAL	QTY	FINISH

## BARENCO Ltd

DRAWN Name	B. Gell	TNC elbow bulkhead socket crimp for RG58	
Dimensions: mm			
Date	23/02/2020	SIZE	DWG NUMBER
Last Rev.		A4	165335
SCALE 1 : 0.5	REV -	SHEET 1 OF 1	

## Barenco Ltd

Unit 14 Winterbeck Ind. Est. Orston Lane, Bottesford,  
Nottinghamshire NG13 0AU. Tel. 0(44)1949 860400  
Email.Sales@barenco.co.uk. Web.www.barenco.co.uk