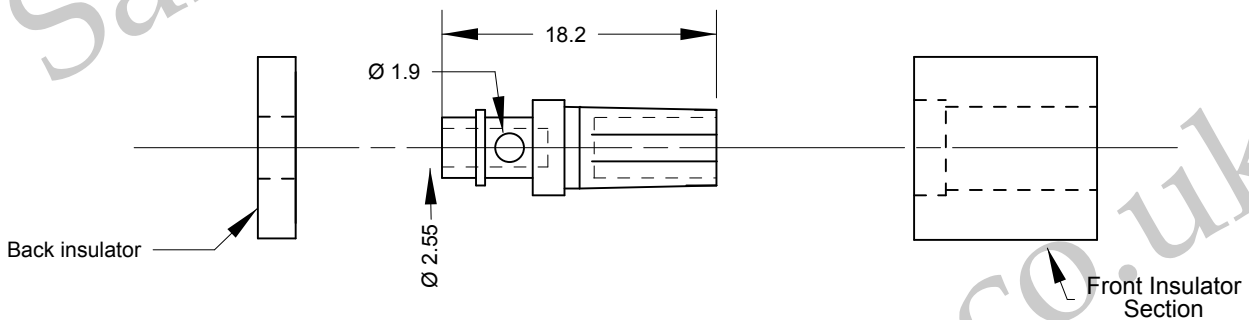
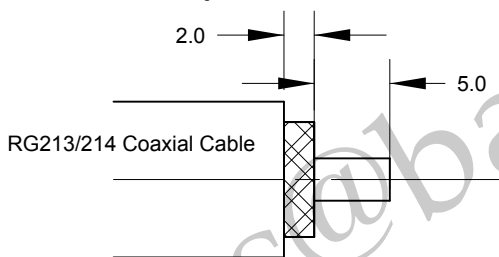


**Cable : RG213 - RG214 & Equivalents**

**Pin and insulator arrangement**



**Cable Preparation**



**Cable Construction Specifications**

	RG213	RG214
Inner Conductor	2.29mm	2.29mm
Dielectric	7.25mm	7.25mm
Outer Conductor	8.00mm	8.00mm
Overall Braid	8.00mm	8.60mm
Jacket	10.30mm	10.80mm

	PART	DESCRIPTION
1	Shell/Body	Brass, CuSnZn3 Plated
2	Insulator	Teflon
3	Pin Contact	Brass, Gold Plated
4	Nut	Brass, CuSnZn3 Plated

**Barenco Ltd**

Unit 14 Winterbeck Ind. Est. Orston Lane, Bottesford, Nottinghamshire NG13 0AU. Tel. 0(44)1949 860400  
 Email.Sales@barenco.co.uk. Web.www.barenco.co.uk

**BARENCO Ltd**

DRAWN Name	B. Gell	UHF line socket for RG213 & 214	
Dimensions: mm			
Date	14/11/2019	SIZE	DWG NUMBER
Last Rev.		A4	165425
SCALE	1 : 0.5	REV	-
			SHEET 1 OF 1