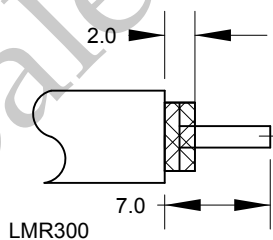
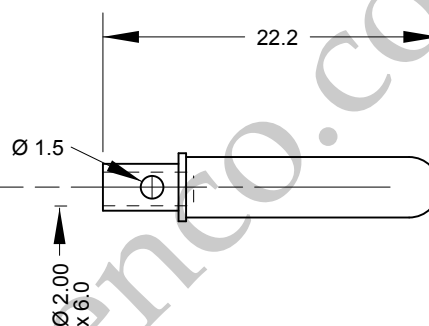


Cable : Aircell 7, ANT300, LMR300 & Equivalents

Cable preparation details



Pin & Insulator arrangement



Note.

Solder centre contact  
or  
Centre conductor crimp Hex: 0.1" ( 2.54mm )

Cable Construction Specifications

|                 | LMR300 | Aircell 7 | ANT300 |
|-----------------|--------|-----------|--------|
| Inner Conductor | 1.78mm | 1.85mm    | 1.78mm |
| Dielectric      | 4.83mm | N/A       | 4.83mm |
| Overall Braid   | 5.72mm | N/A       | 5.72mm |
| Jacket          | 7.62mm | 7.30mm    | 7.60mm |

|   | PART        | DESCRIPTION           |
|---|-------------|-----------------------|
| 1 | Shell/Body  | Brass, CuSnZn3 Plated |
| 2 | Insulator   | PTFE / Teflon         |
| 3 | Pin Contact | Brass, Gold Plated    |
| 4 | Nut         | Brass, CuSnZn3 Plated |
| 5 | Neoprene    | White                 |

**BARENCO Ltd**

|                |            |                           |              |
|----------------|------------|---------------------------|--------------|
| DRAWN Name     | B. Gell    | UHF plug clamp for LMR300 |              |
| Dimensions: mm |            | SIZE                      | DWG NUMBER   |
| Date           | 03/03/2020 | A4                        | 168240       |
| Last Rev.      |            | REV -                     | SHEET 1 OF 1 |
| SCALE 1 : 0.5  |            |                           |              |

**Barenco Ltd**

Unit 14 Winterbeck Ind. Est. Orston Lane, Bottesford, Nottinghamshire NG13 0AU. Tel. 0(44)1949 860400  
Email.Sales@barenco.co.uk. Web.www.barenco.co.uk