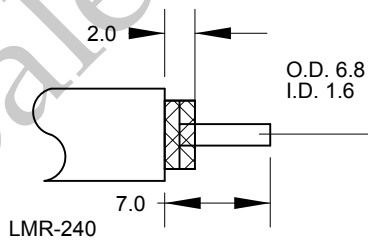
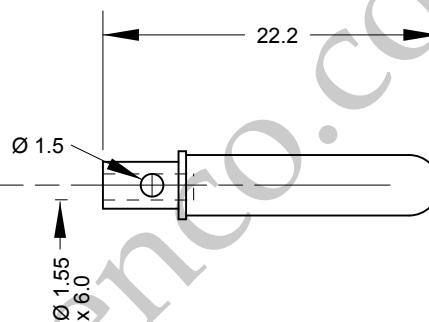


Cable : LMR240, LMR240UF & Equivalents

Cable preparation details



Pin & Insulator arrangement



Note.

Solder centre contact
or
Centre conductor crimp Hex: 0.1" (2.54mm)

Cable: Times Microwave LMR-240 & LMR240UF

Construction Specifications
 Inner Conductor 1.42mm
 Dielectric 3.81mm
 Outer Conductor 3.94mm
 Overall Braid 4.52mm
 Jacket 6.10mm

	PART	DESCRIPTION
1	Shell/Body	Brass, CuSnZn3 Plated
2	Insulator	PTFE / Teflon
3	Pin Contact	Brass, Gold Plated
4	Nut	Brass, CuSnZn3 Plated
5	Neoprene	White

Barenco Ltd

Unit 14 Winterbeck Ind. Est. Orston Lane, Bottesford,
 Nottinghamshire NG13 0AU. Tel. 0(44)1949 860400
 Email.Sales@barenco.co.uk. Web.www.barenco.co.uk

BARENCO Ltd

DRAWN Name	B. Gell	UHF plug clamp for LMR-240	
Dimensions: mm			
Date	03/03/2020	SIZE	DWG NUMBER
Last Rev.		A4	168250
SCALE 1 : 0.5		REV -	SHEET 1 OF 1