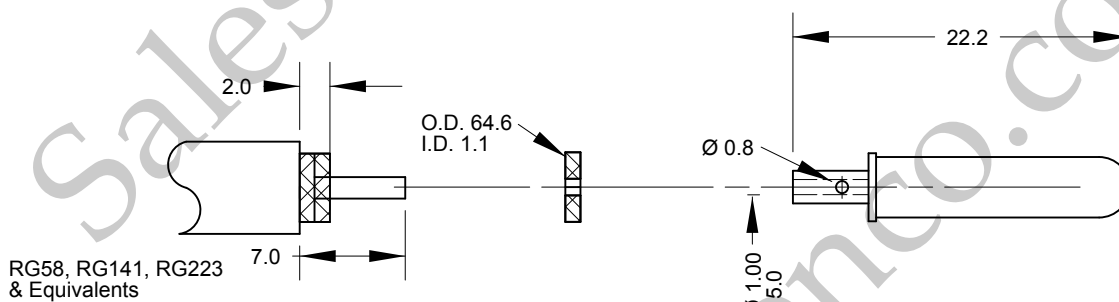


Cable : RG58, RG141, RG223 & Equivalents

Cable preparation details

Pin & Insulator arrangement



RG58, RG141, RG223 & Equivalents

Note.

Solder centre contact

or

Centre conductor crimp Hex: 0.068" (1.00mm)

Cable Construction Specifications

	RG58	RG141	RG223
Inner Conductor	0.91mm	0.94mm	0.89mm
Dielectric	2.95mm	2.95mm	2.95mm
Overall Braid	3.30mm	3.30mm	4.00mm
Jacket	4.95mm	4.80mm	5.40mm

PART	DESCRIPTION
1	Shell/Body Brass, CuSnZn3 Plated
2	Insulator PTFE / Teflon
3	Pin Contact Brass, Gold Plated
4	Nut Brass, CuSnZn3 Plated
5	Neoprene White

BARENCO Ltd

DRAWN Name	B. Gell	UHF plug clamp for RG58, RG141 RG223	
Dimensions: mm		SIZE	DWG NUMBER
Date	10/07/2020	A4	168260
Last Rev.		REV -	SHEET 1 OF 1
SCALE 1 : 0.5			

Barenco Ltd

Unit 14 Winterbeck Ind. Est. Orston Lane, Bottesford, Nottinghamshire NG13 0AU. Tel. 0(44)1949 860400
Email.Sales@barenco.co.uk. Web.www.barenco.co.uk