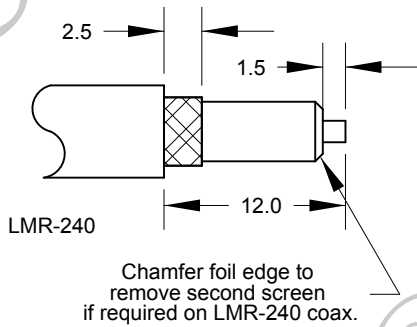


Cable : LMR240, LMR240UF & Equivalents

Cable preparation details



Cable: Times Microwave LMR240

Construction Specifications  
 Inner Conductor 1.42mm  
 Dielectric 3.81mm  
 Outer Conductor 3.94mm  
 Overall Braid 4.52mm  
 Jacket 6.10mm

	PART	DESCRIPTION
1	Shell/Body	Brass, CuSnZn3 Plated
2	Insulator	PTFE / Teflon
3	Pin Contact	Brass, Gold Plated
4	Nut	Brass, CuSnZn3 Plated
5	Neoprene	White

**BARENCO Ltd**

DRAWN Name	B. Gell	TNC elbow plug clamp for LMR-240	
Dimensions: mm		SIZE	DWG NUMBER
Date	25/02/2020	A4	168415
Last Rev.		REV -	SHEET 1 OF 1
SCALE 1 : 0.5			

**Barenco Ltd**

Unit 14 Winterbeck Ind. Est. Orston Lane, Bottesford,  
 Nottinghamshire NG13 0AU. Tel. 0(44)1949 860400  
 Email.Sales@barenco.co.uk. Web.www.barenco.co.uk