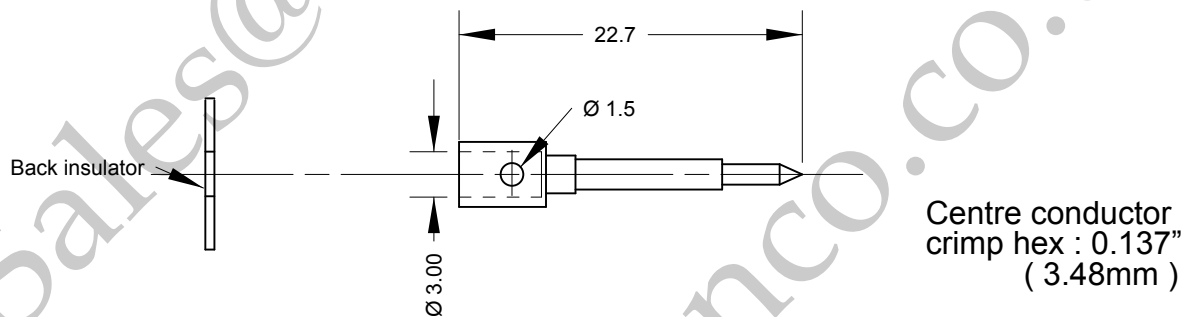


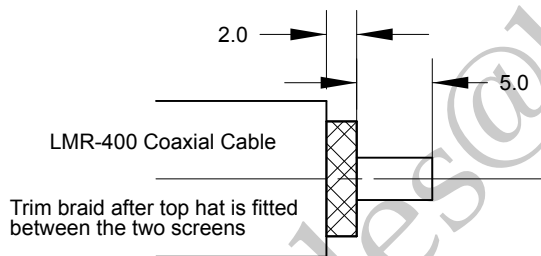
Cable : LMR400 & LMR400UF & Equivalents

### Pin and insulator arrangement



Centre conductor  
crimp hex : 0.137"  
( 3.48mm )

### Cable Preparation



Cable: Times Microwave LMR400 & LMR400UF

Construction Specifications  
 Inner Conductor 2.74mm  
 Dielectric 7.24mm  
 Outer Conductor 7.39mm  
 Overall Braid 8.13mm  
 Jacket 10.29mm

	PART	DESCRIPTION
1	Shell/Body	Brass, CuSnZn3 Plated
2	Insulator	Teflon
3	Pin Contact	Brass, Gold Plated
4	Nut	Brass, CuSnZn3 Plated
5	Neoprene	White or semi translucent

## BARENCO Ltd

DRAWN Name	B. Gell	TNC plug clamp for LMR-400	
Dimensions: mm			
Date	5/02/2020	SIZE	DWG NUMBER
Last Rev.		A4	168420
SCALE 1 : 0.5	REV -	SHEET 1 OF 1	

## Barenco Ltd

Unit 14 Winterbeck Ind. Est. Orston Lane, Bottesford,  
 Nottinghamshire NG13 0AU. Tel. 0(44)1949 860400  
 Email.Sales@barenco.co.uk. Web.www.barenco.co.uk