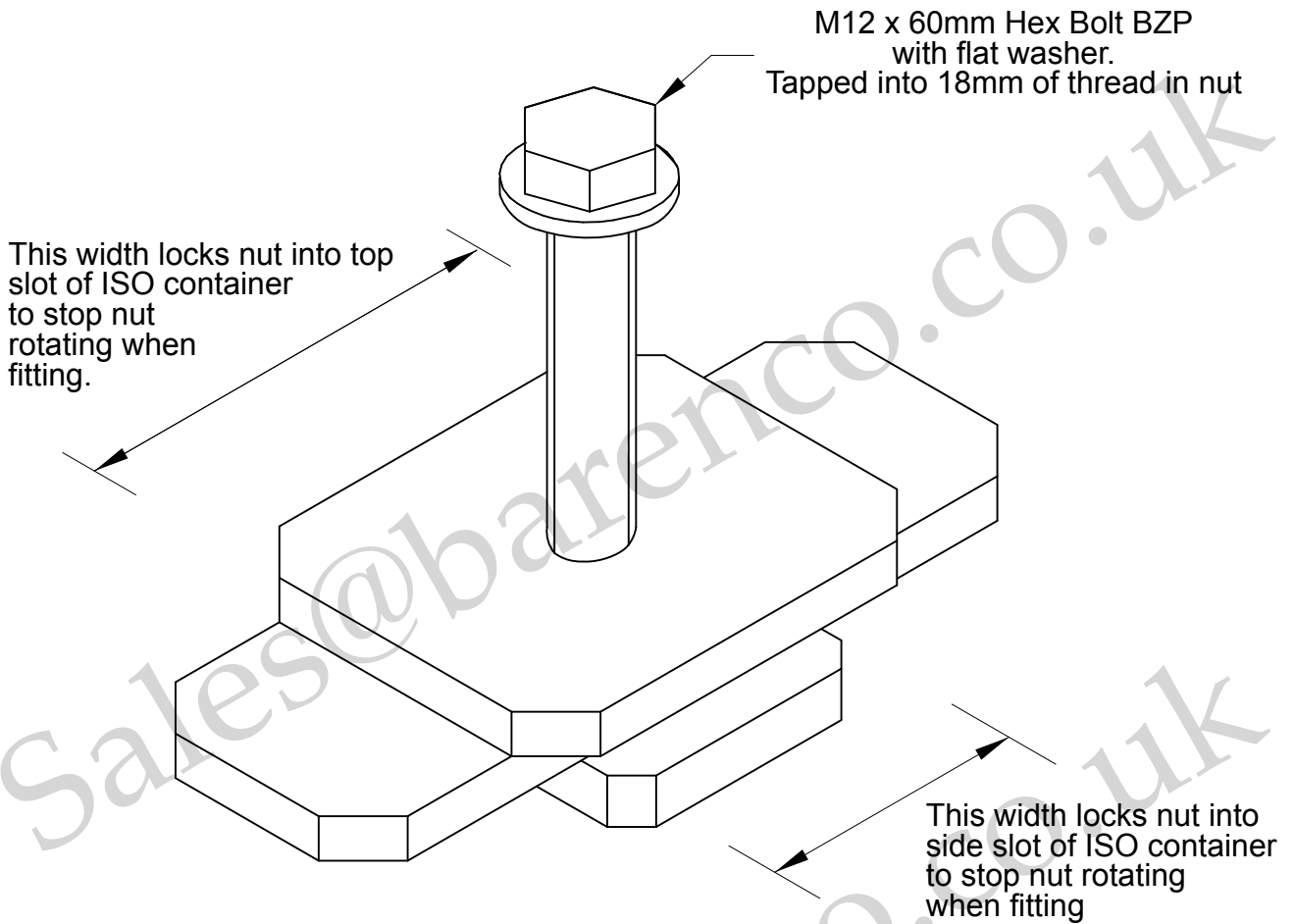


Part used in the modular "XS SYSTEM" designed by BARENCO



Uses and fitting.

Container nut has been designed to bolt a plate on top or side slot of a shipping container to then mount support hardware for Aerials and Satellite dishes or just handrails for health and safety reasons.

BE730 and BE731 are both available to be bolted onto the container through the top slot with the application of the M12 bolt and secured with a 19mm spanner. No holes or drilling required to fit the bracket.

Ensure bolt is tensioned sufficient to stop plate rotating before securing the top support post or socket. Top plate has 4 x M10 nuts and requires a 17mm spanner. Alternative use is to secure a channel bracket BE305 or BE309 to both top and bottom vertical castings to hold a scaffold size mast or similar.

Material :- 6mm Mild Steel Plate

Finish :- Sherardized

BARENCO Ltd.

Barenco Ltd

Unit 14 Winterbeck Ind. Est. Orston Lane, Bottesford,
Nottinghamshire NG13 0AU. Tel. 01949 860400
Email. Sales@barencoco.uk. Web. www.barencoco.uk

DRAWN Name		B. Gell		Shipping container mounting nut & bolt	
Dimensions: mm					
Date		26/10/2019		SIZE	DWG NUMBER
Last Rev.				A4	BE727
SCALE 1 : 1		REV -		SHEET 1 OF 1	