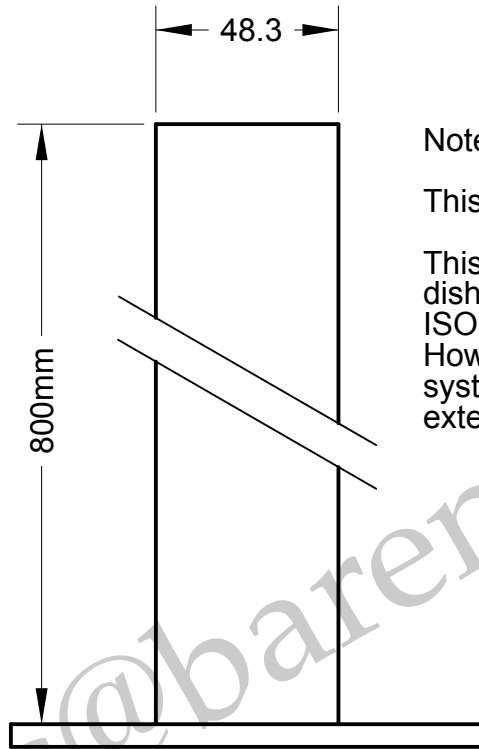


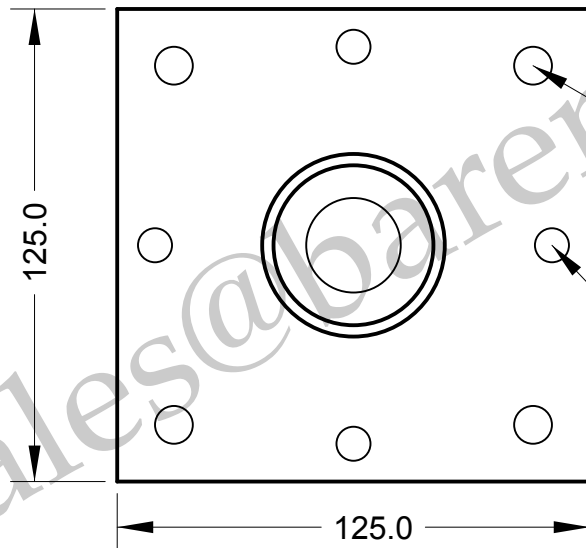
Part used in the modular "XS SYSTEM" designed by BARENCO



Note.

This top has no internal locking bolts.

This was designed to have a satellite dish mounted to it on a corner of a ISO shipping container. However it could be used for other systems such as hand rail supports, or extended to support a longer mast.



4 x M10 Clearance holes 95mm centres

4 x M8 Clearance holes 105mm centres

Material:- 6mm Mild steel plate
Tube 48.3mm O.D. x 3mm wall

Finish:- Sherardized

BARENCO Ltd.

DRAWN Name	B Gell	Top mounting post 48.3mm Ø tube x 800mm tall	
Dimensions: mm		SIZE	DWG NUMBER
Date	22/12/2019	A4	BE750
Last Rev.		REV -	SHEET 1 OF 1
SCALE 2 : 1			

Barenco Ltd

Unit 14 Winterbeck Ind. Est. Orston Lane, Bottesford,
Nottinghamshire NG13 0AU. Tel. 01949 860400
Email. Sales@barenco.co.uk. Web. www.barenco.co.uk