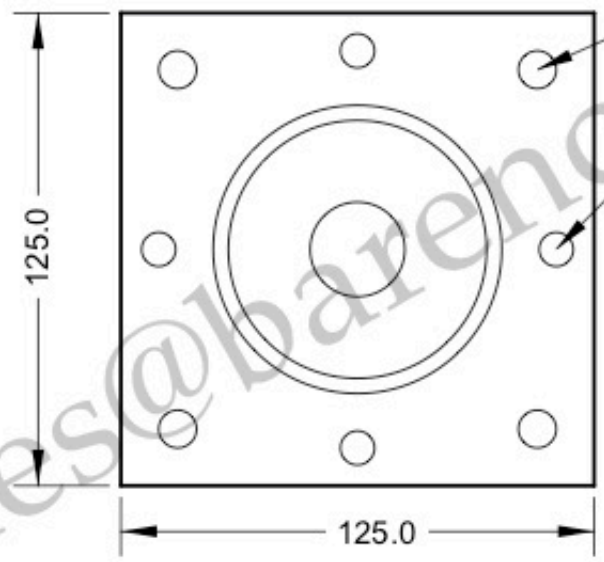
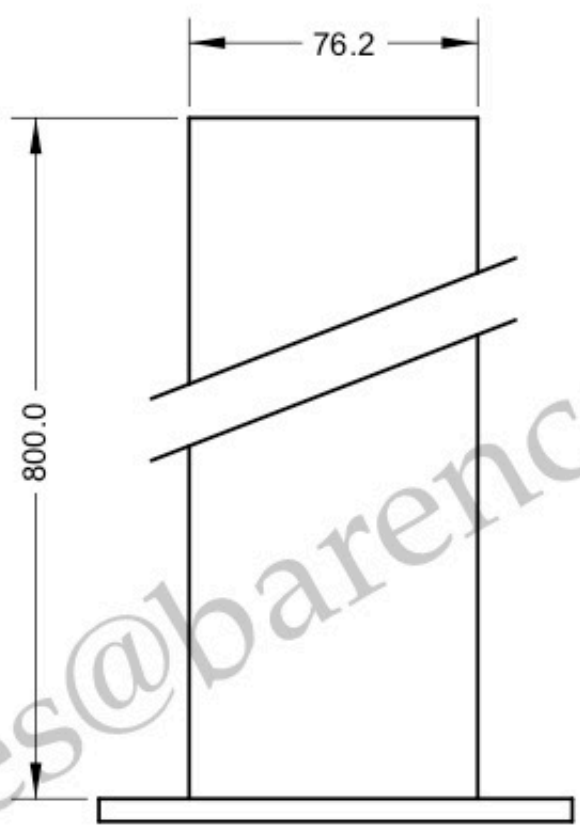


Part used in the modular "XS SYSTEM" designed by BARENCO



4 x M10 Clearance holes 95mm centres
4 x M8 Clearance holes 105mm centres

Material:- 6mm Mild Steel Plate
Tube 76.2mm O.D. x 4mm wall
Finish:- Sherardized

BARENCO Ltd.

DRAWN Name	B Gell	Top mounting post 76.2mm Ø tube x 800mm tall	
Dimensions: mm		SIZE	DWG NUMBER
Date	2/02/2020	A4	BE751
Last Rev.		REV -	SHEET 1 OF 1
SCALE 2 : 1			

Barenco Ltd
Unit 14 Winterbeck Ind. Est. Orston Lane, Bottesford,
Nottinghamshire NG13 0AU. Tel. 01949 860400
Email. Sales@barencoco.uk Web. www.barencoco.uk