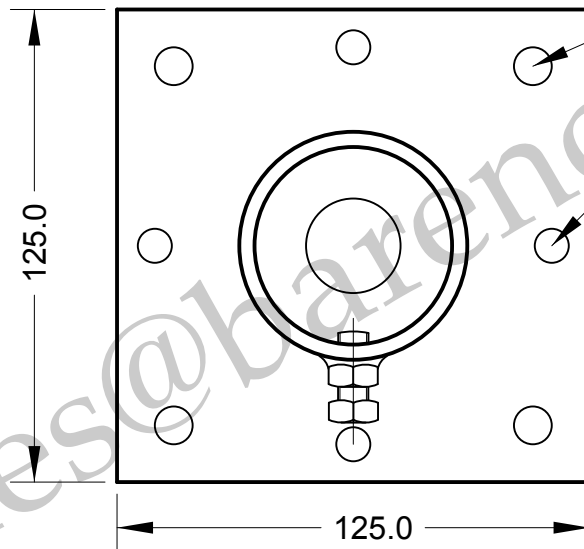
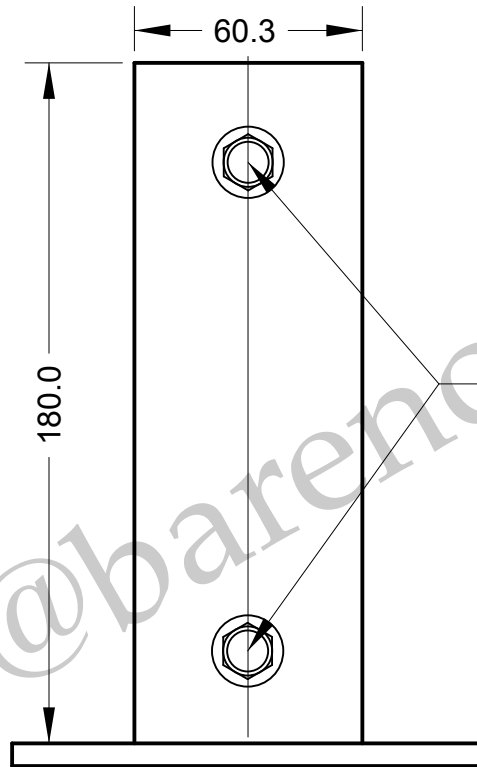


Part used in the modular "XS SYSTEM" designed by BARENCO



Material:- 6mm Mild Steel Plate
Tube 60.3mm O.D. x 4mm wall

Finish:- Sherardized

BARENCO Ltd.

DRAWN Name	B Gell	Top mounting post 60.3mm Ø tube x 180mm tall	
Dimensions: mm		SIZE	DWG NUMBER
Date	22/12/2019	A4	BE752
Last Rev.		REV -	SHEET 1 OF 1
SCALE 2 : 1			

Barenco Ltd

Unit 14 Winterbeck Ind. Est. Orston Lane, Bottesford,
Nottinghamshire NG13 0AU. Tel. 01949 860400
Email. Sales@barenco.co.uk. Web. www.barenco.co.uk