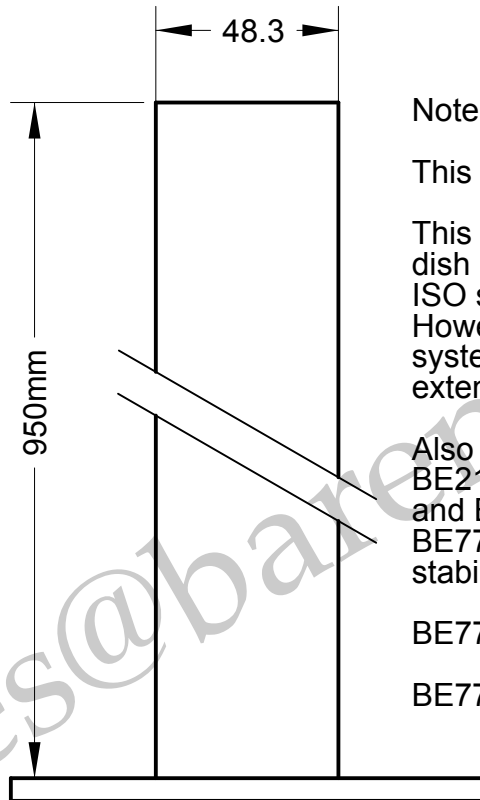


Part used in the modular "XS SYSTEM" designed by BARENCO



Note.

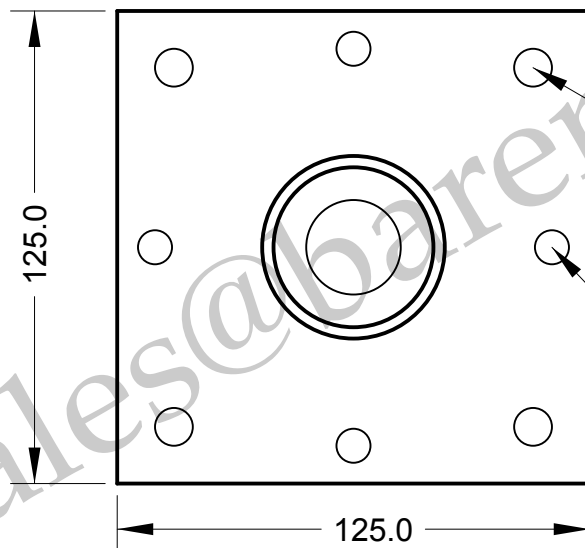
This top has no internal locking bolts.

This was designed to have a satellite dish mounted to it on a corner of a ISO shipping container when used for storage. However it could be used for other systems such as hand rail supports, or extended to support a longer mast.

Also can be used to replace the BE102 with BE216 for a top hinge, BE732 for the base and BE771 for a clamp locking unit. BE772 can be added if required to increase stability.

BE772 drawing shows this unit complete.

BE771 will not be required if BE772 is used.



4 x M10 Clearance holes 95mm centres

4 x M8 Clearance holes 105mm centres

Material:- 6mm Mild steel plate
Tube 48.3mm O.D. x 3mm wall

Finish:- Sherardized

Barenco Ltd

Barenco Ltd

Unit 14 Winterbeck Ind. Est. Orston Lane, Bottesford,
Nottinghamshire NG13 0AU Tel. 01949 860400
Email. Sales@barenco.co.uk Web. www.barenco.co.uk

DRAWN Name B Gell		Top mounting post 48.3mm Ø tube x 950mm tall	
Dimensions: mm		SIZE A4	DWG NUMBER BE753
Date 22/12/2019	Last Rev.	REV -	SHEET 1 OF 1
SCALE 2 : 1			