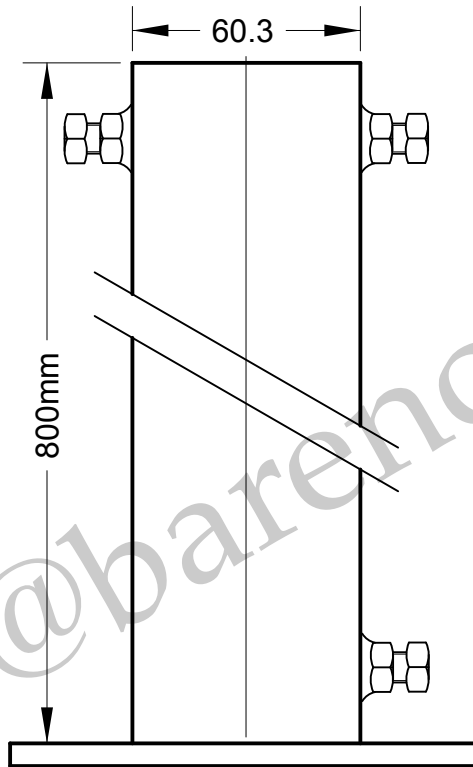


Part used in the modular "XS SYSTEM" designed by BARENCO

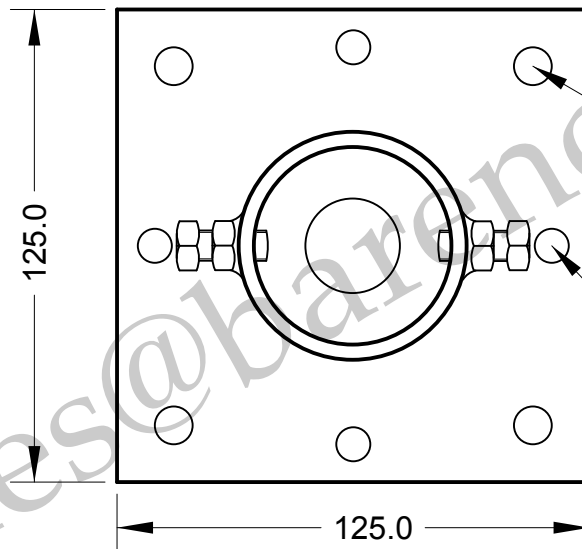


Note.

This top has three M12 internal locking bolts.

This was designed to have a 2" mast or scaffold size mast inside of the top and adjusted with the lock bolts to both secure and set the mast vertical.

This top can be placed on a ISO shipping container, flat roof mount or drive-on base with the addition of other hardware due to the modular system.



4 x M10 Clearance holes 95mm centres

4 x M8 Clearance holes 105mm centres

Material:- 6mm Mild steel plate
Tube 60.3mm O.D. x 4mm wall

Finish:- Sherardized

BARENCO Ltd.

DRAWN Name	B. Gell	Top mounting post 60.3mm Ø tube x 800mm tall	
Dimensions: mm		SIZE	DWG NUMBER
Date	22/12/2019	A4	BE754
Last Rev.		REV -	SHEET 1 OF 1
SCALE 2 : 1			

Barenco Ltd

Unit 14 Winterbeck Ind. Est. Orston Lane, Bottesford,
Nottinghamshire NG13 0AU. Tel. 01949 860400
Email. Sales@barenco.co.uk. Web. www.barenco.co.uk