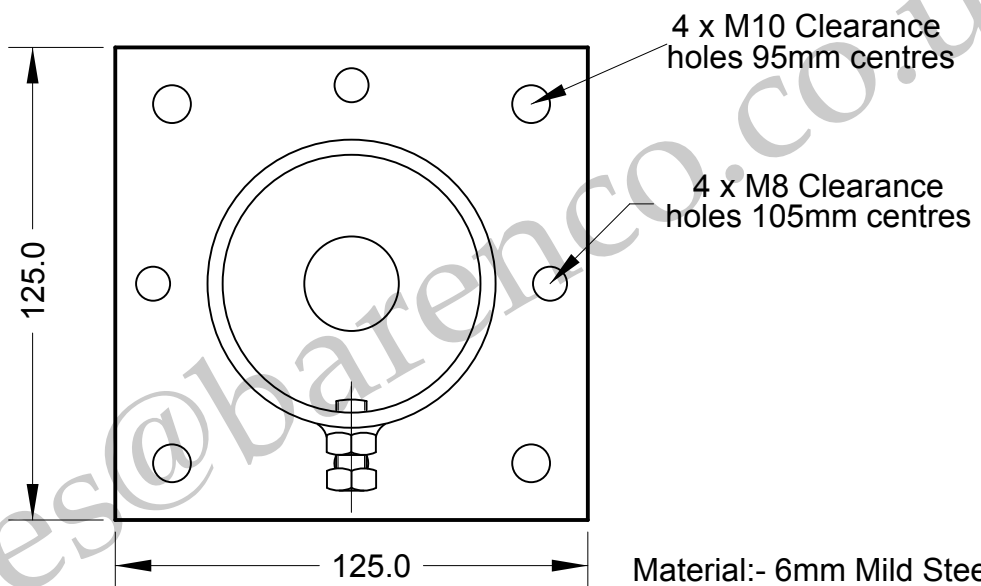
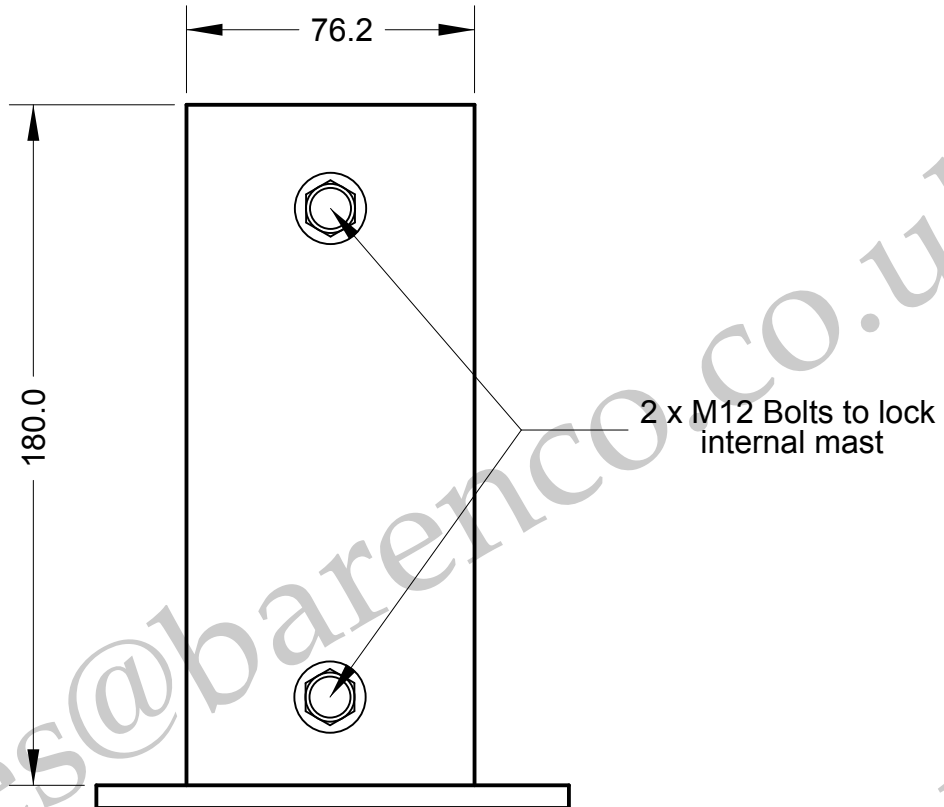


Part used in the modular "XS SYSTEM" designed by BARENCO



Material:- 6mm Mild Steel Plate
Tube 76.2mm O.D. x 4mm wall

Finish:- Sherardized

This product will fit the following bases.

- BE731 250mm x 150mm base plate with studs.
- BE732 300mm x 300mm base plate with studs.
- BE733 380mm long drive-on base.
- BE734 533mm long drive-on base.
- BE735 300mm x 300mm base plate no studs.

BARENCO Ltd.

DRAWN Name		B Gell		Top mounting post	
Dimensions: mm				76.2mm Ø tube x	
Date		2/02/2020		180mm tall	
Last Rev.		SIZE	DWG NUMBER		
		A4	BE755		
SCALE 2:1		REV -	SHEET 1 OF 1		

Barenco Ltd

Unit 14 Winterbeck Ind. Est. Orston Lane, Bottesford,
Nottinghamshire NG13 0AU. Tel. 01949 860400
Email. Sales@barenco.co.uk. Web. www.barenco.co.uk